

FOR CONTINUATION PT SLAB (SOUTH) DRAWINGS

ABBREVIATIONS

TOP	-
BOTTOM	BOT
TOP&BOTTOM	T&B
CONTINUOUS	CONT
FACE BAR	-
CORNER BAR	COR
VERTICAL	VERT
HORIZONTAL	HOR
STIRRUPS	STIRR
EACH WAY	EW
EACH FACE	EF
INNER FACE	IF
OUTER FACE	OF
EACH SIDE	ES
MASONRY	M
DOWEL	DWL
DOWEL/VERTICAL	D/V
TRANSVERSE	TRANS
LONG WAY BAR	LW
SHORT WAY BAR	SW

KEY PLAN : (NORTH)
 SCALE : NTS
 REF : S201FN, S201MN, S201PN, A201 & A211N

A/E PLEASE CONFIRM IF ANY CRANE OPENING LOCATION REQUIRED. IF YES PROVIDE OPEN LOCATION & REINF. DETAILS

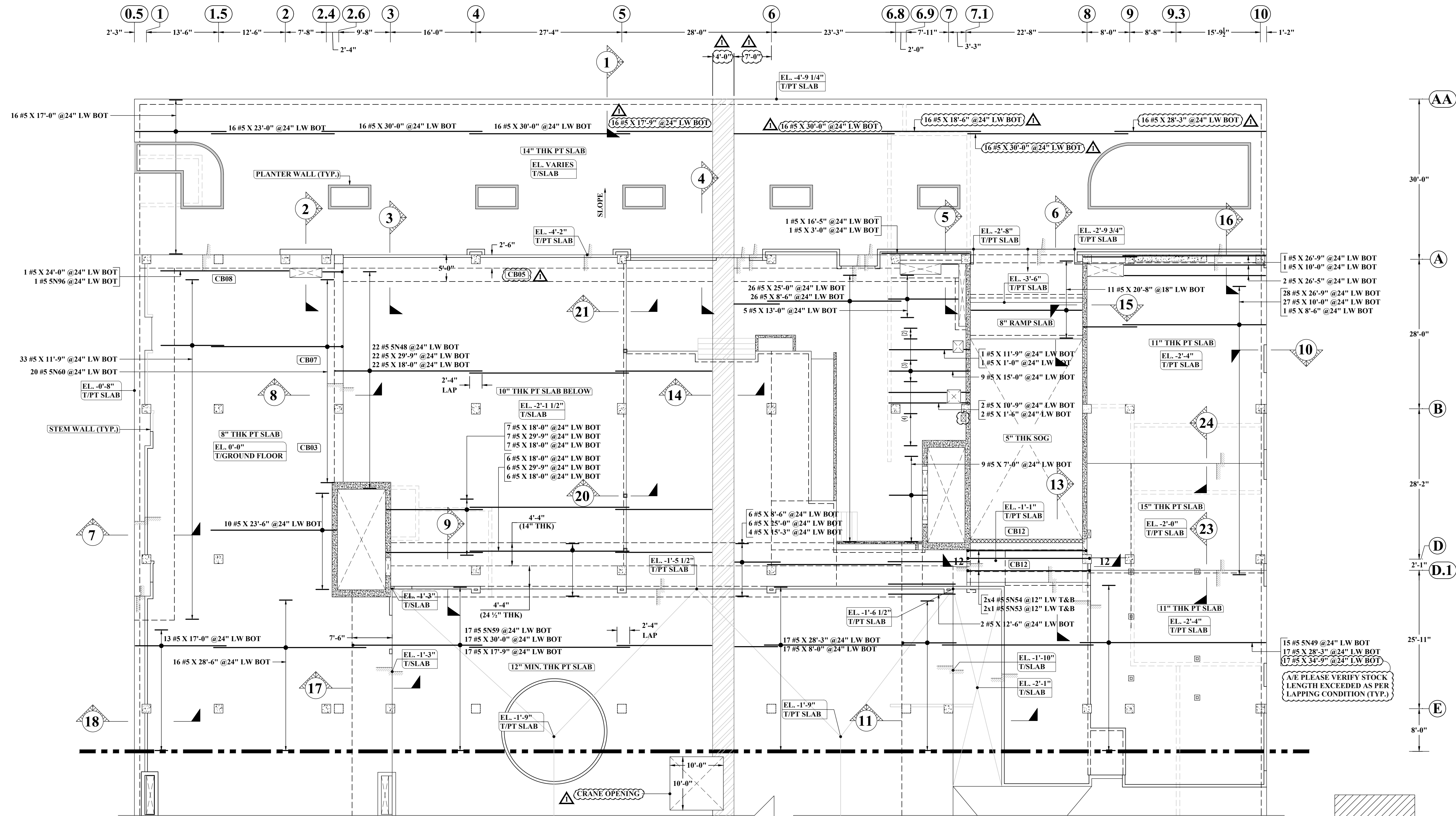
(SHORT WAY BOTTOM REINFORCEMENT DETAILS ONLY)
PT SLAB REINFORCEMENT DETAILS GROUND FLOOR : NORTH
 SCALE : 1/10"=1'-0"
 REF : S201FN, S201MN, S201PN, A201 & A211N

LAP SCHEDULE (CLASS-B)
 REF: S101A

SIZE	5000 PSI	
	TOP	OTHER
#3	22"	17"
#4	29"	22"
#5	36"	28"
#6	43"	33"
#7	63"	49"
#8	72"	55"
#9	81"	63"
#10	91"	70"

- NOTES:-
- TYPICAL CLEARANCES
 A). INTERIOR TOP - 3/4"
 B). EXTERIOR TOP - 1"
 C). BOTTOM - 3/4"
 - A/E PLEASE VERIFY THE ALL CLOUED ITEMS
 - PROVIDE FIELD CUT AS REQUIRED LOCATIONS
 - BAR TO BE PLACED AT EQUAL SPACING U.O.N.
 - TILT HOOK TO ACCOMMODATE THE COVER, IF NEED

ALL BARS IN THIS DRAWING ASTM A615 GRADE 60 BLACK UNCOATED



FOR CONTINUATION PT SLAB (SOUTH) DRAWINGS

(LONG WAY BOTTOM REINFORCEMENT DETAILS ONLY)
 PT SLAB REINFORCEMENT DETAILS GROUND FLOOR : NORTH

SCALE : 1/10"=1'-0"
 REF : S201FN, S201MN, S201PN, A201 & A211N

KEY PLAN : (NORTH)

SCALE : NTS
 REF : 1/S200N & A210N

ABBREVIATIONS	
TOP	-
BOTTOM	BOT
TOP&BOTTOM	T&B
CONTINUOUS	CONT
FACE BAR	-
CORNER BAR	COR
VERTICAL	VERT
HORIZONTAL	HOR
STIRRUPS	STIRR
EACH WAY	EW
EACH FACE	EF
INNER FACE	IF
OUTER FACE	OF
EACH SIDE	ES
MASONRY	M
DOWEL	DWL
DOWEL/VERTICAL	D/V
TRANSVERSE	TRANS
LONG WAY BAR	LW
SHORT WAY BAR	SW

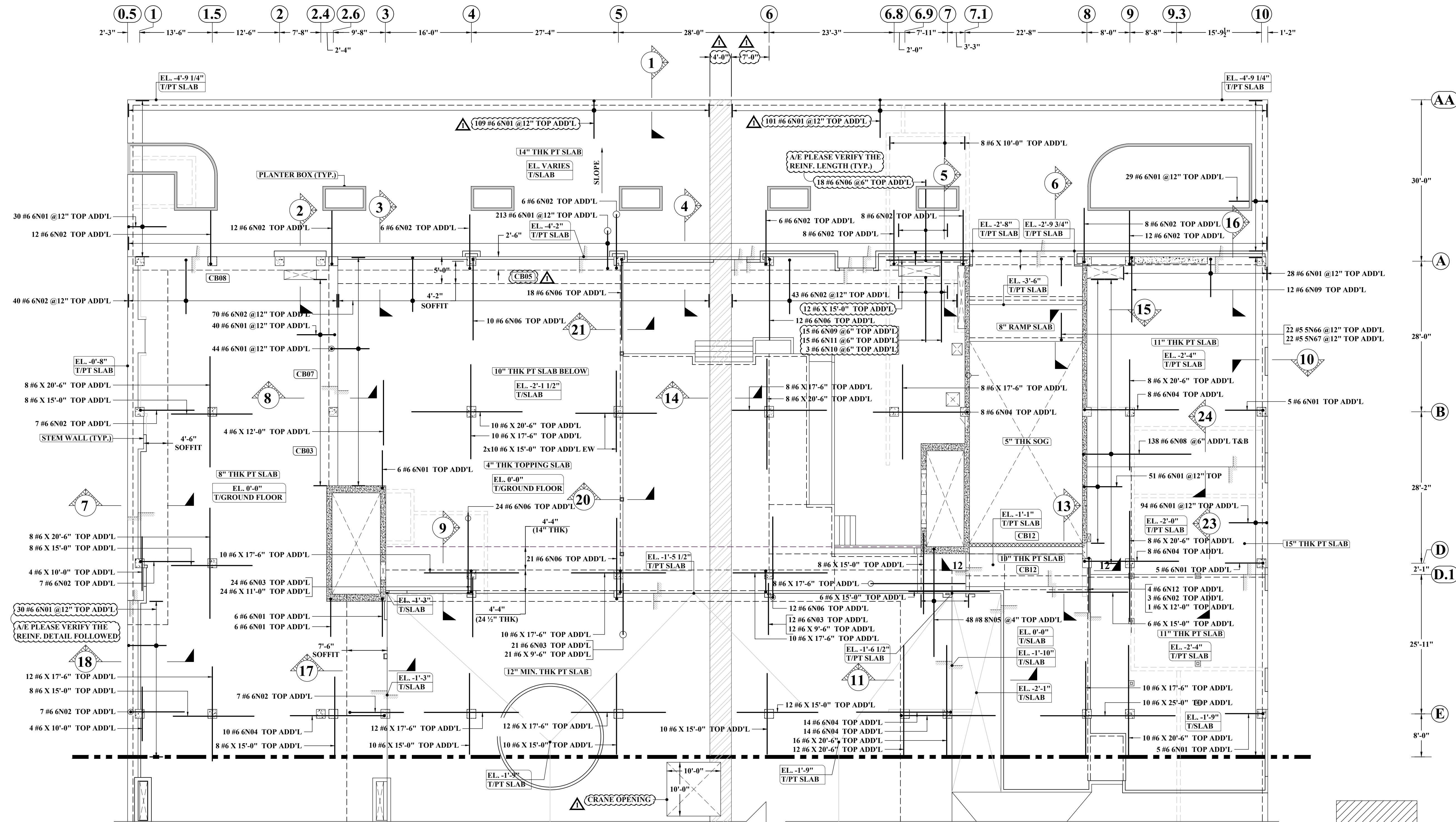
LAP SCHEDULE
 (CLASS-B)
 REF: S101A

SIZE	5000 PSI	
	TOP	OTHER
#3	22"	17"
#4	29"	22"
#5	36"	28"
#6	43"	33"
#7	63"	49"
#8	72"	55"
#9	81"	63"
#10	91"	70"

NOTES:-

- TYPICAL CLEARANCES
 A). INTERIOR TOP - 3/4"
 B). EXTERIOR TOP - 1"
 C). BOTTOM - 3/4"
- A/E PLEASE VERIFY THE ALL CLOUDED ITEMS
- PROVIDE FIELD CUT AS REQUIRED LOCATIONS
- BAR TO BE PLACED AT EQUAL SPACING U.O.N.
- TILT HOOK TO ACCOMMODATE THE COVER, IF NEED

ALL BARS IN THIS DRAWING ASTM A615 GRADE 60 BLACK UNCOATED



FOR CONTINUATION PT SLAB (SOUTH) DRAWINGS

(TOP ADDITIONAL REINFORCEMENT DETAILS ONLY)
PT SLAB REINFORCEMENT DETAILS GROUND FLOOR : NORTH
 SCALE : 1/10"=1'-0"
 REF : S201FN,S201MN,S201PN,A201 & A211N

KEY PLAN : (NORTH)
 SCALE : N1S
 REF : I/S200N & A210N

ABBREVIATIONS

TOP	-
BOTTOM	BOT
TOP&BOTTOM	T&B
CONTINUOUS	CONT
FACE BAR	-
CORNER BAR	COR
VERTICAL	VERT
HORIZONTAL	HOR
STIRRUPS	STIRR
EACH WAY	EW
EACH FACE	EF
INNER FACE	IF
OUTER FACE	OF
EACH SIDE	ES
MASONRY	M
DOWEL	DWL
DOWEL/VERTICAL	D/V
TRANSVERSE	TRANS
LONG WAY BAR	LW
SHORT WAY BAR	SW

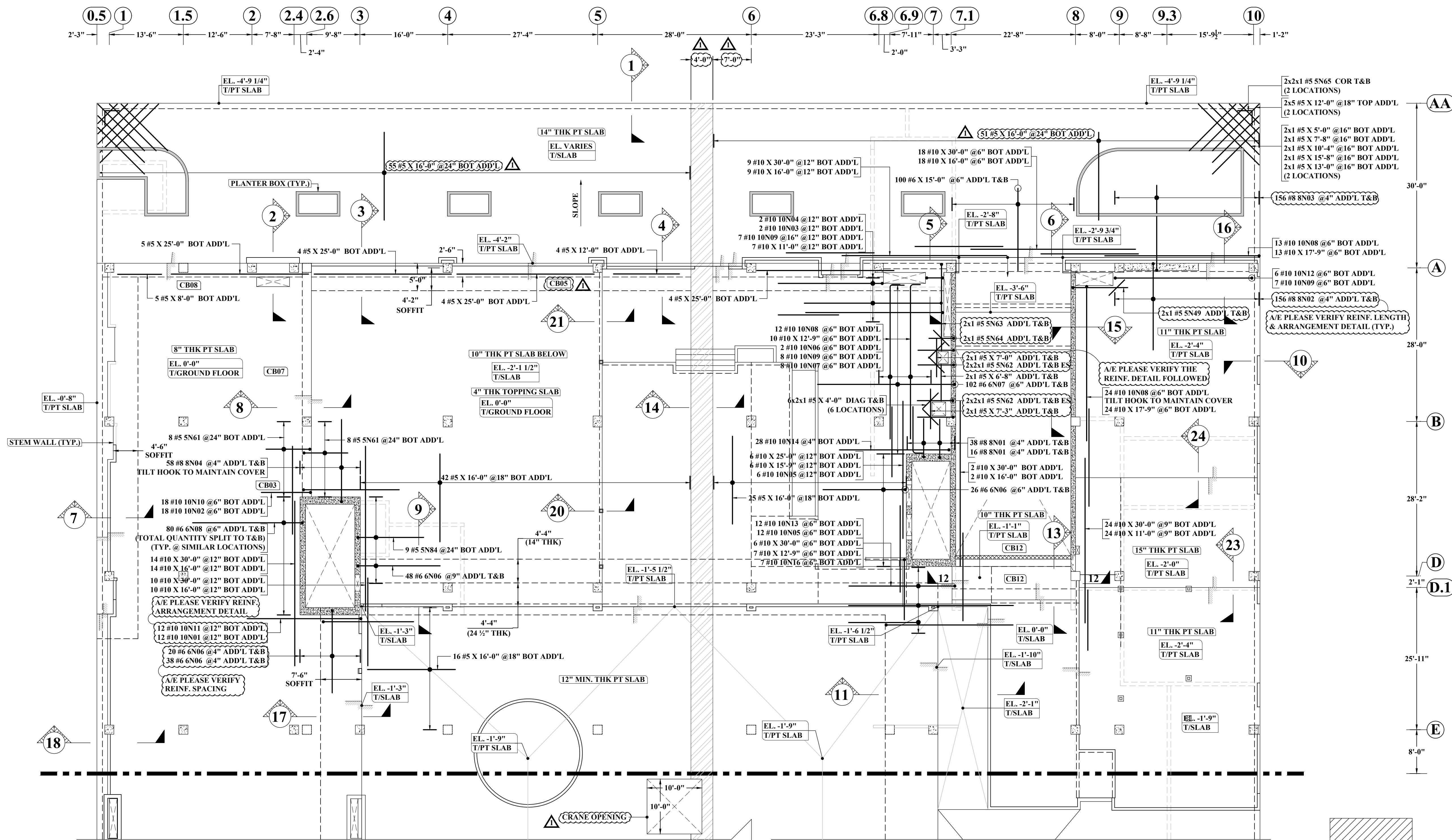
LAP SCHEDULE (CLASS-B)
 REF: S101A

SIZE	5000 PSI	
	TOP	OTHER
#3	22"	17"
#4	29"	22"
#5	36"	28"
#6	43"	33"
#7	63"	49"
#8	72"	55"
#9	81"	63"
#10	91"	70"

- NOTES:-**
- TYPICAL CLEARANCES
 A). INTERIOR TOP - 3/4"
 B). EXTERIOR TOP - 1"
 C). BOTTOM - 3/4"
 - A/E PLEASE VERIFY THE ALL CLOUDED ITEMS
 - PROVIDE FIELD CUT AS REQUIRED LOCATIONS
 - BAR TO BE PLACED AT EQUAL SPACING U.O.N.
 - TILT HOOK TO ACCOMMODATE THE COVER, IF NEED

ALL BARS IN THIS DRAWING ASTM A615 GRADE 60 BLACK UNCOATED

NOTE: REINFORCING STEEL PLACING DRAWINGS TO BE USED ONLY IN CONJUNCTION WITH CONTRACT DRAWINGS AND SPECIFICATIONS. ELEVATIONS & DIMENSIONS SHOWN ON THIS DRAWING ARE FOR VERIFICATION BY THE EOR OR FOR DETAILING PURPOSES ONLY AND SHOULD NOT BE USED FOR CONSTRUCTION UNLESS VERIFIED BY THE ARCHITECT, ENGINEER OF RECORD, OR CONTRACTOR.



FOR CONTINUATION PT SLAB (SOUTH) DRAWINGS

(BOTTOM & OPEN ADDITIONAL REINFORCEMENT DETAILS ONLY)
PT SLAB REINFORCEMENT DETAILS GROUND FLOOR : NORTH

SCALE: 1/10"=1'-0"
 REF: S201FN, S201MN, S201PN, A201 & A211N

A/E PLEASE CONFIRM ALL BOT ADDITIONAL REIN. WE PROVIDE STANDARD HOOK, TILT HOOK AS REQUIRED TO ACCOMMODATE COVER

ABBREVIATIONS

TOP	-
BOTTOM	BOT
TOP&BOTTOM	T&B
CONTINUOUS	CONT
FACE BAR	-
CORNER BAR	COR
VERTICAL	VERT
HORIZONTAL	HOR
STIRRUPS	STIRR
EACH WAY	EW
EACH FACE	EF
INNER FACE	IF
OUTER FACE	OF
EACH SIDE	ES
MASONRY	M
DOWEL	DWL
DOWEL/VERTICAL	D/V
TRANSVERSE	TRANS
LONG WAY BAR	LW
SHORT WAY BAR	SW

KEY PLAN : (NORTH)
 SCALE: N1S
 REF: 1/S200N & A210N

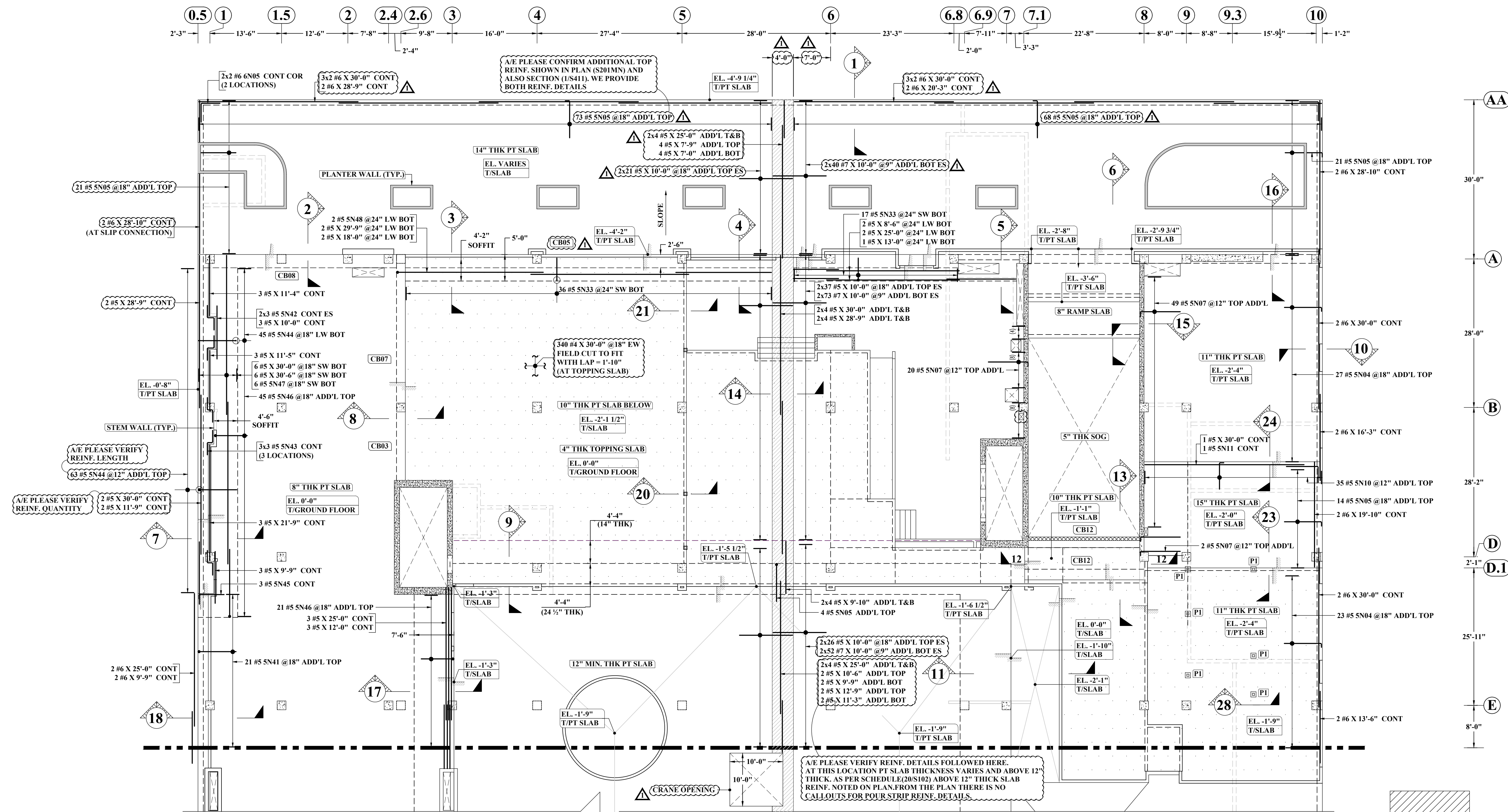
LAP SCHEDULE (CLASS-B)
 REF: S101A

SIZE	5000 PSI	
	TOP	OTHER
#3	22"	17"
#4	29"	22"
#5	36"	28"
#6	43"	33"
#7	63"	49"
#8	72"	55"
#9	81"	63"
#10	91"	70"

- NOTES:-
- TYPICAL CLEARANCES
 A). INTERIOR TOP - 3/4"
 B). EXTERIOR TOP - 1"
 C). BOTTOM - 3/4"
 - A/E PLEASE VERIFY THE ALL CLOUDED ITEMS
 - PROVIDE FIELD CUT AS REQUIRED LOCATIONS
 - BAR TO BE PLACED AT EQUAL SPACING U.O.N.
 - TILT HOOK TO ACCOMMODATE THE COVER, IF NEED

ALL BARS IN THIS DRAWING ASTM A615 GRADE 60 BLACK UNCOATED

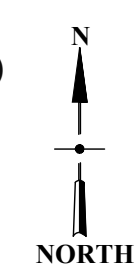
NOTE: REINFORCING STEEL PLACING DRAWINGS TO BE USED ONLY IN CONJUNCTION WITH CONTRACT DRAWINGS AND SPECIFICATIONS. ELEVATIONS & DIMENSIONS SHOWN ON THIS DRAWING ARE FOR VERIFICATION BY THE EOR OR FOR DETAILING PURPOSES ONLY AND SHOULD NOT BE USED FOR CONSTRUCTION UNLESS VERIFIED BY THE ARCHITECT, ENGINEER OF RECORD, OR CONTRACTOR.



FOR CONTINUATION PT SLAB (SOUTH) DRAWINGS

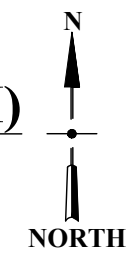
**(TOPPING SLAB, SOFFIT ADDITIONAL & POUR STRIP REINFORCEMENT DETAILS ONLY)
PT SLAB REINFORCEMENT DETAILS GROUND FLOOR : NORTH**

SCALE: 1/10"=1'-0"
REF: S201FN, S201MN, S201PN, A201 & A211N



KEY PLAN : (NORTH)

SCALE: N.T.S.
REF: 1/S200N & A210N



ABBREVIATIONS	
TOP	-
BOTTOM	BOT
TOP&BOTTOM	T&B
CONTINUOUS	CONT
FACE BAR	-
CORNER BAR	COR
VERTICAL	VERT
HORIZONTAL	HOR
STIRRUPS	STIRR
EACH WAY	EW
EACH FACE	EF
INNER FACE	IF
OUTER FACE	OF
EACH SIDE	ES
MASONRY	M
DOWEL	DWL
DOWEL/VERTICAL	D/V
TRANSVERSE	TRANS
LONG WAY BAR	LW
SHORT WAY BAR	SW

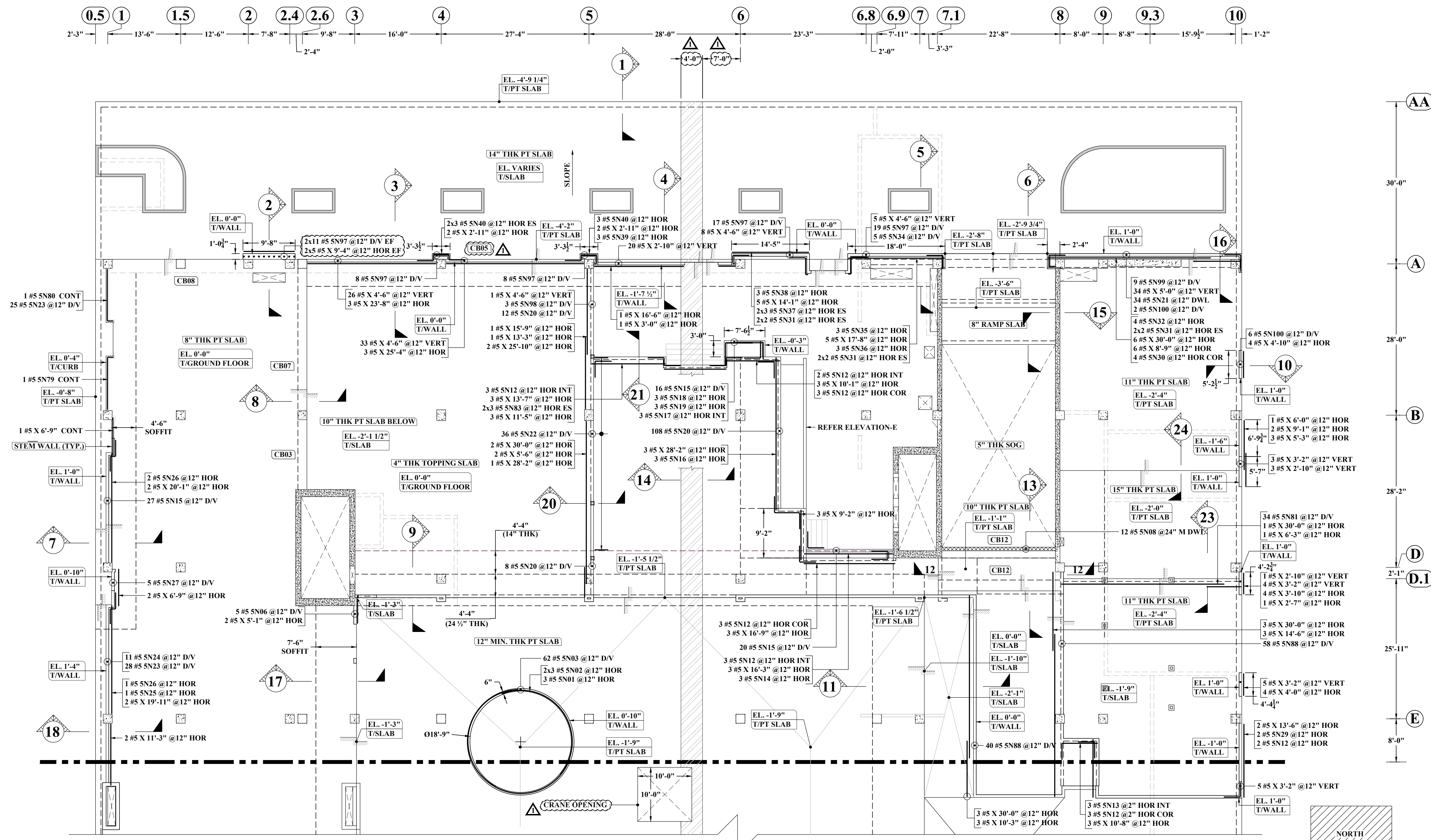
LAP SCHEDULE (CLASS-B)
REF: S101A

SIZE	5000 PSI	
	TOP	OTHER
#3	22"	17"
#4	29"	22"
#5	36"	28"
#6	43"	33"
#7	63"	49"
#8	72"	55"
#9	81"	63"
#10	91"	70"

NOTES:-

- TYPICAL CLEARANCES
A). INTERIOR TOP - 3/4"
B). EXTERIOR TOP - 1"
C). BOTTOM - 3/4"
- A/E PLEASE VERIFY THE ALL CLOUDED ITEMS
- PROVIDE FIELD CUT AS REQUIRED LOCATIONS
- BAR TO BE PLACED AT EQUAL SPACING U.O.N.
- TILT HOOK TO ACCOMMODATE THE COVER, IF NEED

ALL BARS IN THIS DRAWING ASTM A615 GRADE 60 BLACK UNCOATED



FOR CONTINUATION PT SLAB (SOUTH) DRAWINGS

(STEM WALL REINFORCEMENT DETAILS ONLY)
 PT SLAB REINFORCEMENT DETAILS GROUND FLOOR : NORTH

SCALE: 1/10"=1'-0"
 REF: S201FN, S201MN, S201PN, A201 & A211N

ABBREVIATIONS

TOP	-
BOTTOM	BOT
TOP&BOTTOM	T&B
CONTINUOUS	CONT
FACE BAR	-
CORNER BAR	COR
VERTICAL	VERT
HORIZONTAL	HOR
STIRRUPS	STIRR
EACH WAY	EW
EACH FACE	EF
INNER FACE	IF
OUTER FACE	OF
EACH SIDE	ES
MASONRY	M
DOWEL	DWL
DOWEL/VERTICAL	D/V
TRANSVERSE	TRANS
LONG WAY BAR	LW
SHORT WAY BAR	SW

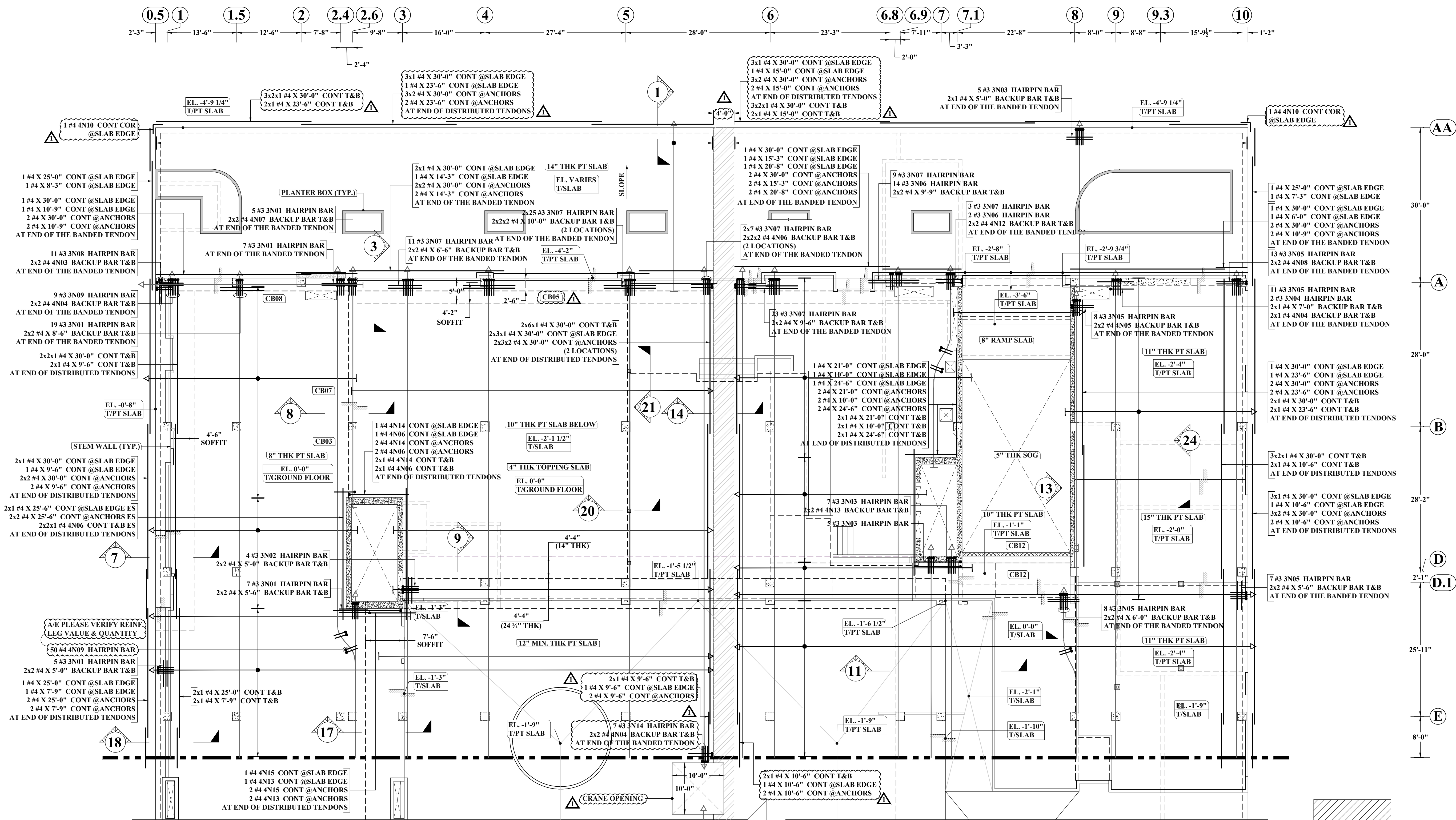
LAP SCHEDULE (CLASS-B)
 REF: S101A

SIZE	5000 PSI	
	TOP	OTHER
#3	22"	17"
#4	29"	22"
#5	36"	28"
#6	43"	33"
#7	63"	49"
#8	72"	55"
#9	81"	63"
#10	91"	70"

- NOTES:-
- TYPICAL CLEARANCES
 A). INTERIOR TOP - 3/4"
 B). EXTERIOR TOP - 1"
 C). BOTTOM - 3/4"
 - A/E PLEASE VERIFY THE ALL CLOUDED ITEMS
 - PROVIDE FIELD CUT AS REQUIRED LOCATIONS
 - BAR TO BE PLACED AT EQUAL SPACING U.O.N.
 - TILT HOOK TO ACCOMMODATE THE COVER, IF NEED

ALL BARS IN THIS DRAWING ASTM A615 GRADE 60 BLACK UNCOATED

NOTE: REINFORCING STEEL PLACING DRAWINGS TO BE USED ONLY IN CONJUNCTION WITH CONTRACT DRAWINGS AND SPECIFICATIONS. ELEVATIONS & DIMENSIONS SHOWN ON THIS DRAWING ARE FOR VERIFICATION BY THE EOR OR FOR DETAILING PURPOSES ONLY AND SHOULD NOT BE USED FOR CONSTRUCTION UNLESS VERIFIED BY THE ARCHITECT, ENGINEER OF RECORD, OR CONTRACTOR.



FOR CONTINUATION PT SLAB (SOUTH) DRAWINGS

(TENDON ADDITIONAL REINFORCEMENT DETAILS ONLY)
PT SLAB REINFORCEMENT DETAILS GROUND FLOOR : NORTH

SCALE : 1/10"=1'-0"
 REF : S201FN,S201MN,S201PN,A201 & A211N

A/E PLEASE PROVIDE BANDED TENDONS QUANTITY

A/E PLEASE VERIFY REINF. LEG VALUE & QUANTITY

ABBREVIATIONS	
TOP	-
BOTTOM	BOT
TOP&BOTTOM	T&B
CONTINUOUS	CONT
FACE BAR	-
CORNER BAR	COR
VERTICAL	VERT
HORIZONTAL	HOR
STIRRUPS	STIRR
EACH WAY	EW
EACH FACE	EF
INNER FACE	IF
OUTER FACE	OF
EACH SIDE	ES
MASONRY	M
DOWEL	DWL
DOWEL/VERTICAL	D/V
TRANSVERSE	TRANS
LONG WAY BAR	LW
SHORT WAY BAR	SW

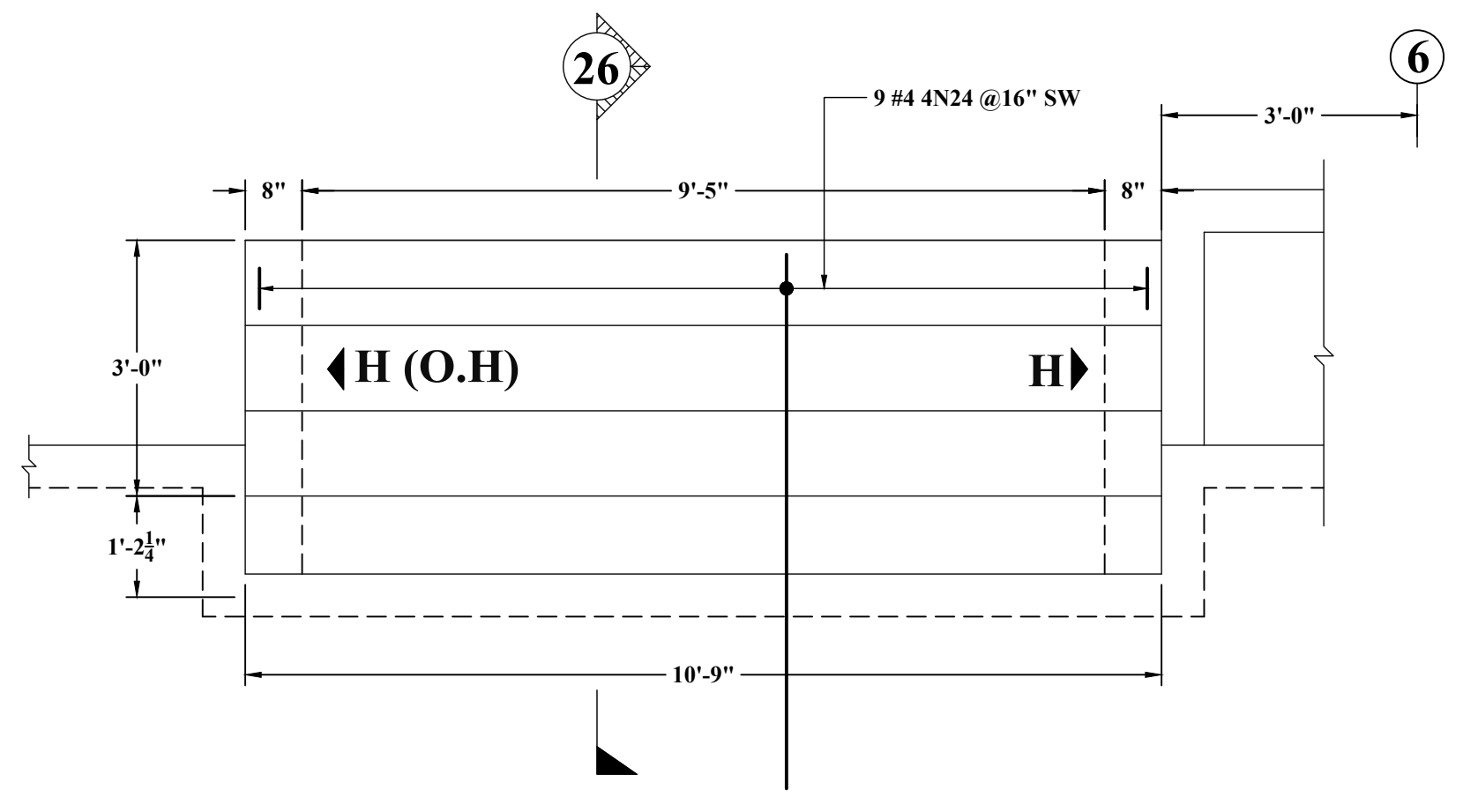
KEY PLAN : (NORTH)
 SCALE : NIS
 REF : 1/S200N & A210N

LAP SCHEDULE (CLASS-B) REF: S101A		
SIZE	5000 PSI	
	TOP	OTHER
#3	22"	17"
#4	29"	22"
#5	36"	28"
#6	43"	33"
#7	63"	49"
#8	72"	55"
#9	81"	63"
#10	91"	70"

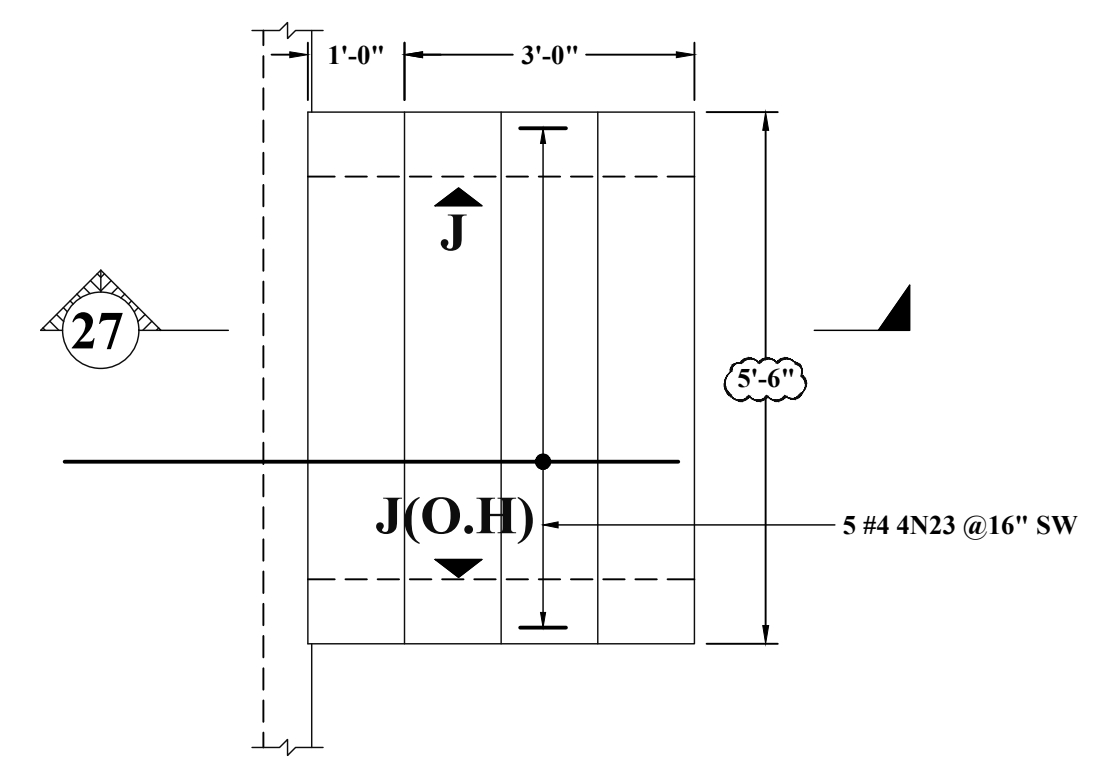
- NOTES:-**
- TYPICAL CLEARANCES
 A). INTERIOR TOP - 3/4"
 B). EXTERIOR TOP - 1"
 C). BOTTOM - 3/4"
 - A/E PLEASE VERIFY THE ALL CLOUDED ITEMS
 - PROVIDE FIELD CUT AS REQUIRED LOCATIONS
 - BARS TO BE PLACED AT EQUAL SPACING U.O.N.
 - TILT HOOK TO ACCOMMODATE THE COVER, IF NEED

ALL BARS IN THIS DRAWING ASTM A615 GRADE 60 BLACK UNCOATED

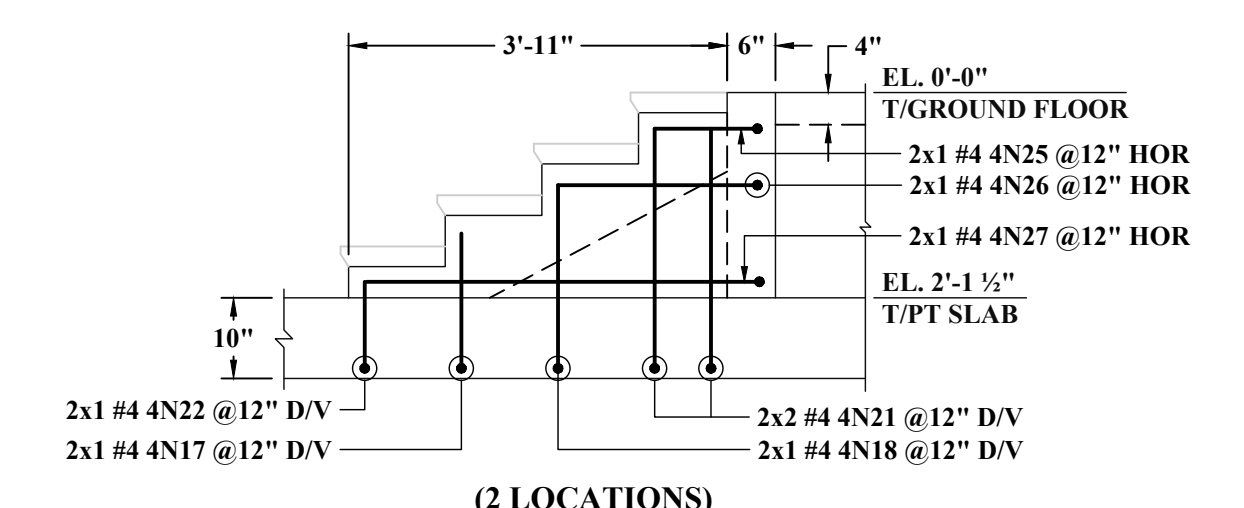
NOTE: REINFORCING STEEL PLACING DRAWINGS TO BE USED ONLY IN CONJUNCTION WITH CONTRACT DRAWINGS AND SPECIFICATIONS. ELEVATIONS & DIMENSIONS SHOWN ON THIS DRAWING ARE FOR VERIFICATION BY THE EOR OR FOR DETAILING PURPOSES ONLY AND SHOULD NOT BE USED FOR CONSTRUCTION UNLESS VERIFIED BY THE ARCHITECT, ENGINEER OF RECORD, OR CONTRACTOR.



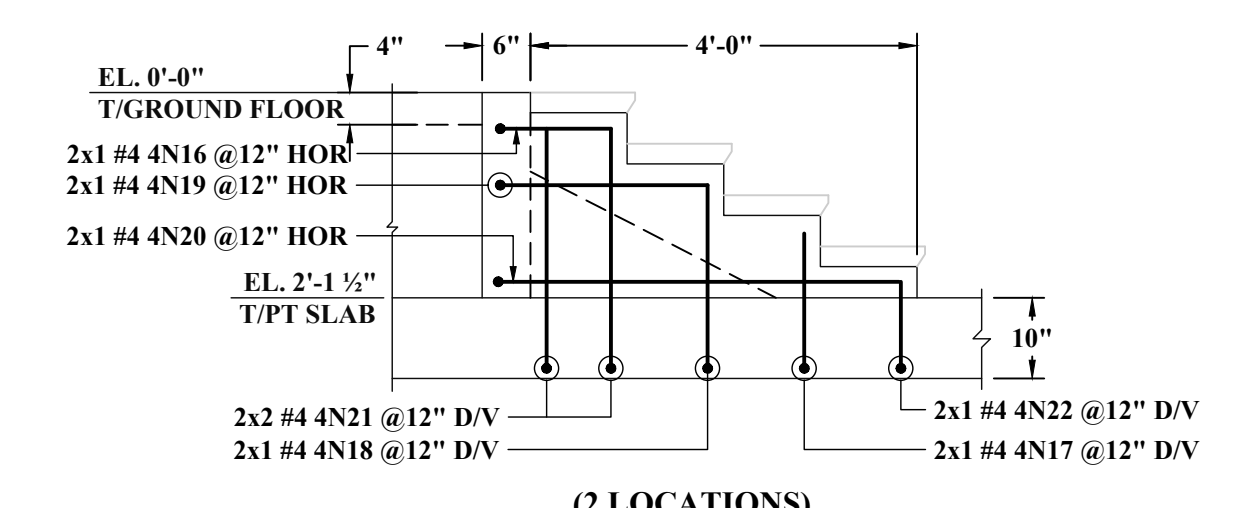
DETAIL-A
SCALE: 1/2"=1'-0"
REF: S/A655



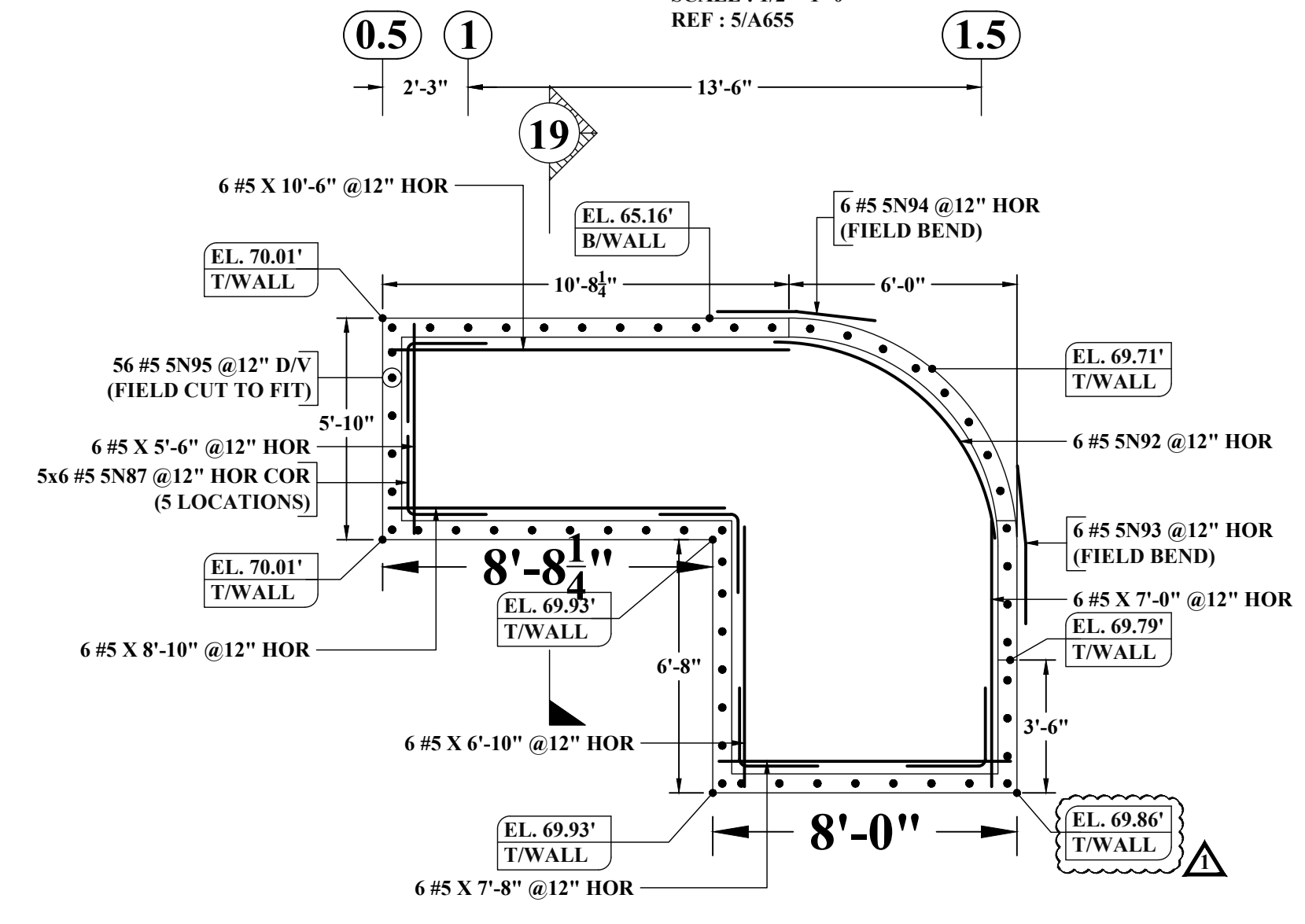
DETAIL-B
SCALE: 1/2"=1'-0"
REF: 6/A655



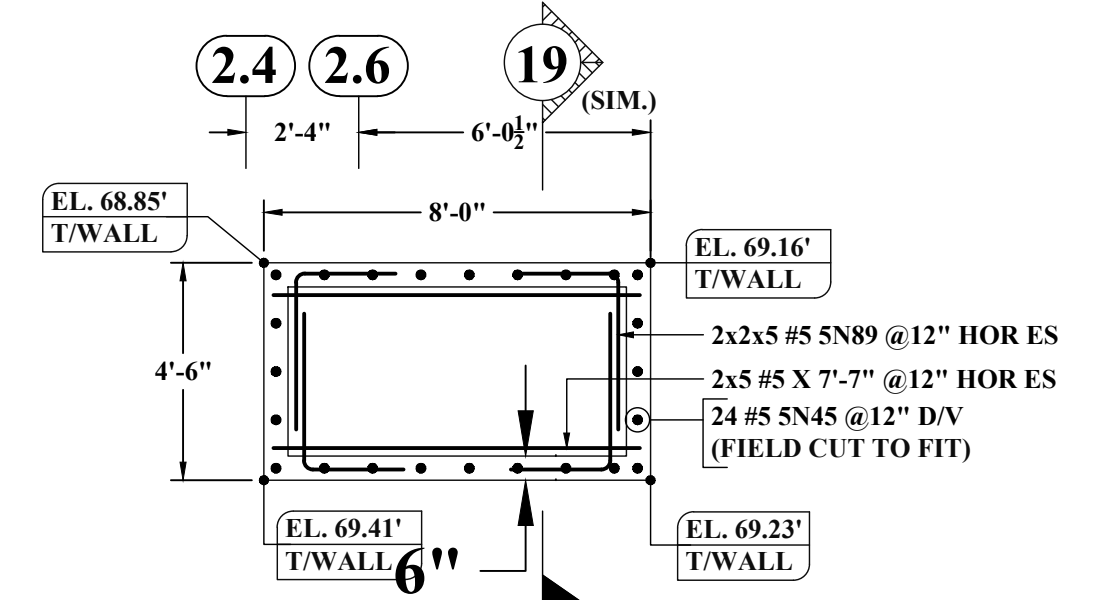
ELEVATION H
SCALE: 1/2"=1'-0"
REF: S201MN



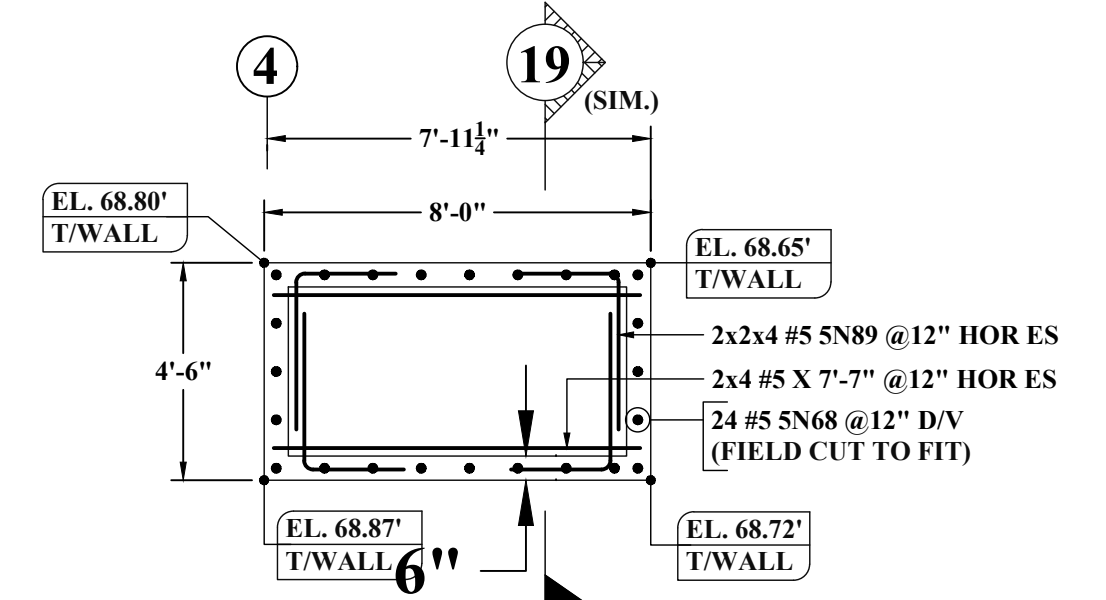
ELEVATION J
SCALE: 1/2"=1'-0"
REF: S201MN



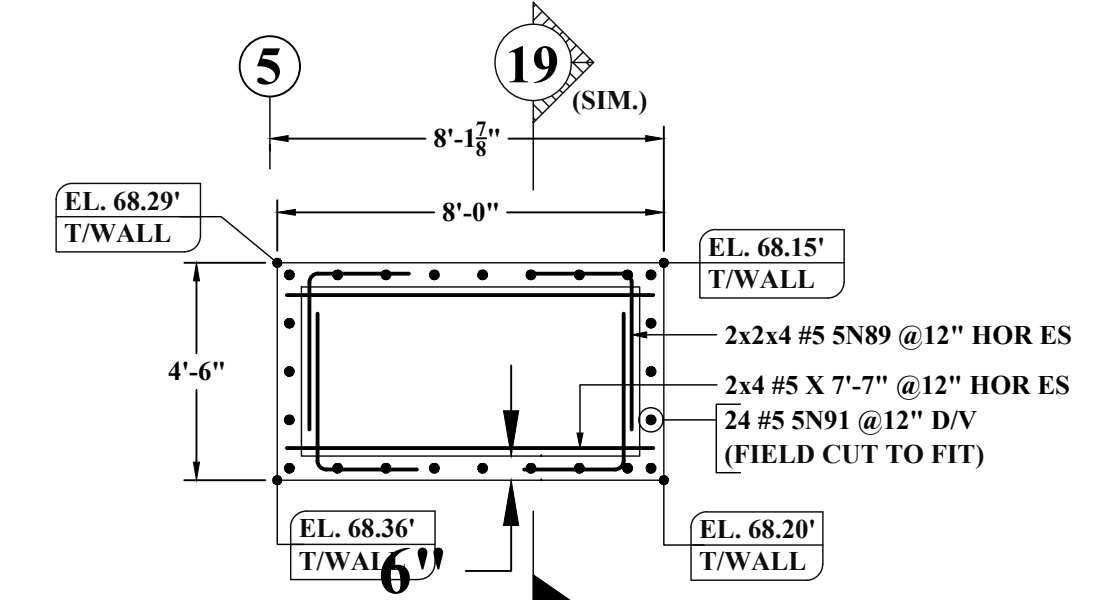
DETAIL-C
SCALE: 1/4"=1'-0"
REF: L3.02 & C100



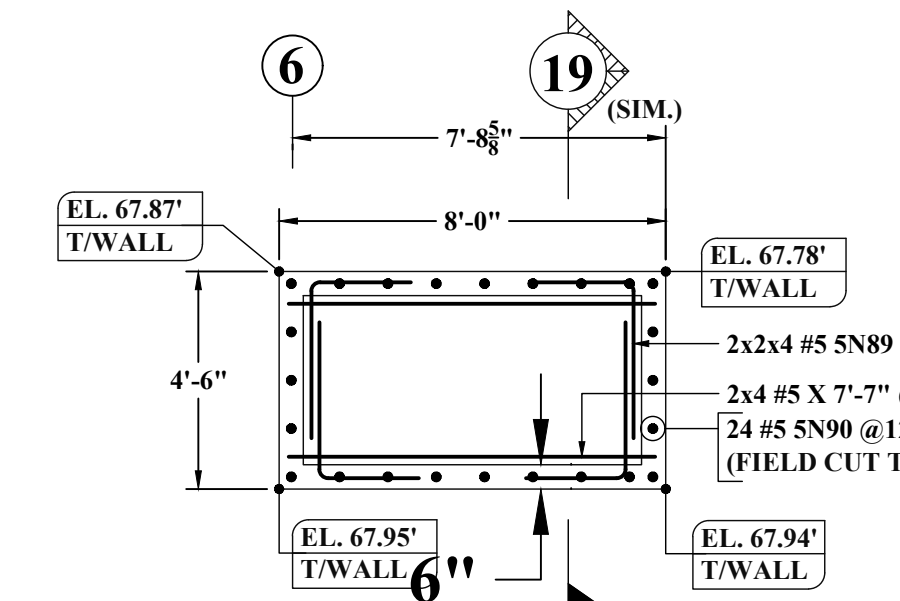
DETAIL-D
SCALE: 1/4"=1'-0"
REF: L3.02 & C100



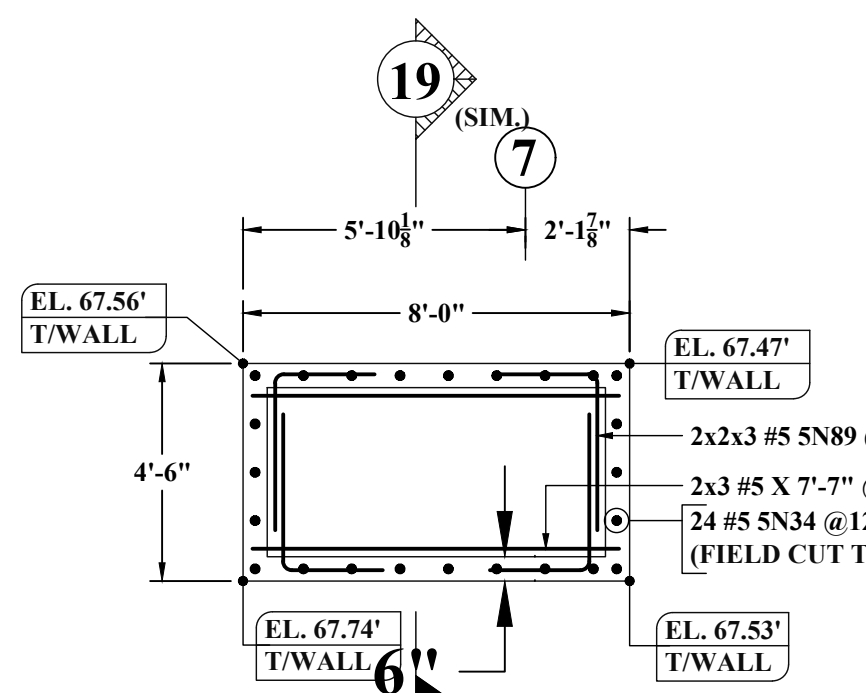
DETAIL-E
SCALE: 1/4"=1'-0"
REF: L3.02 & C100



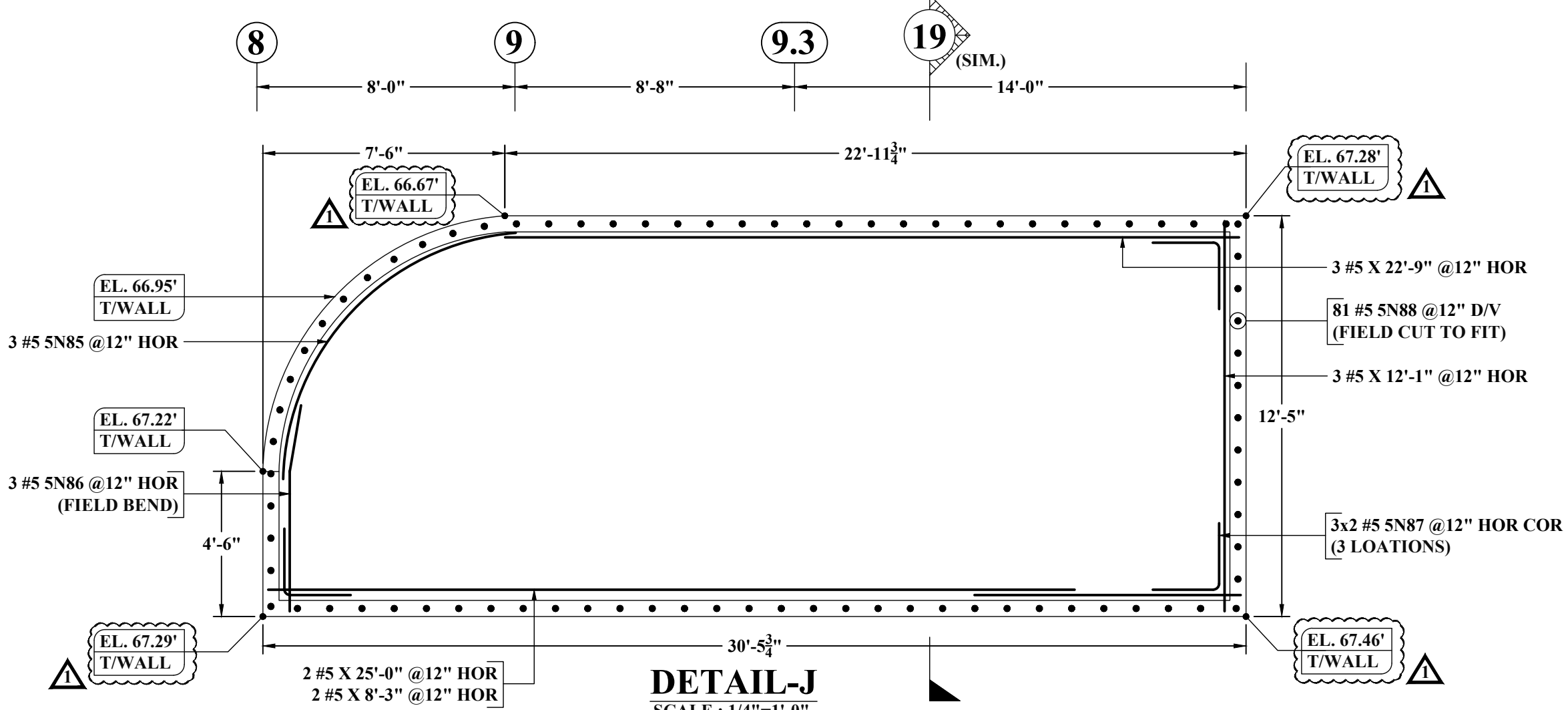
DETAIL-F
SCALE: 1/4"=1'-0"
REF: L3.02 & C100



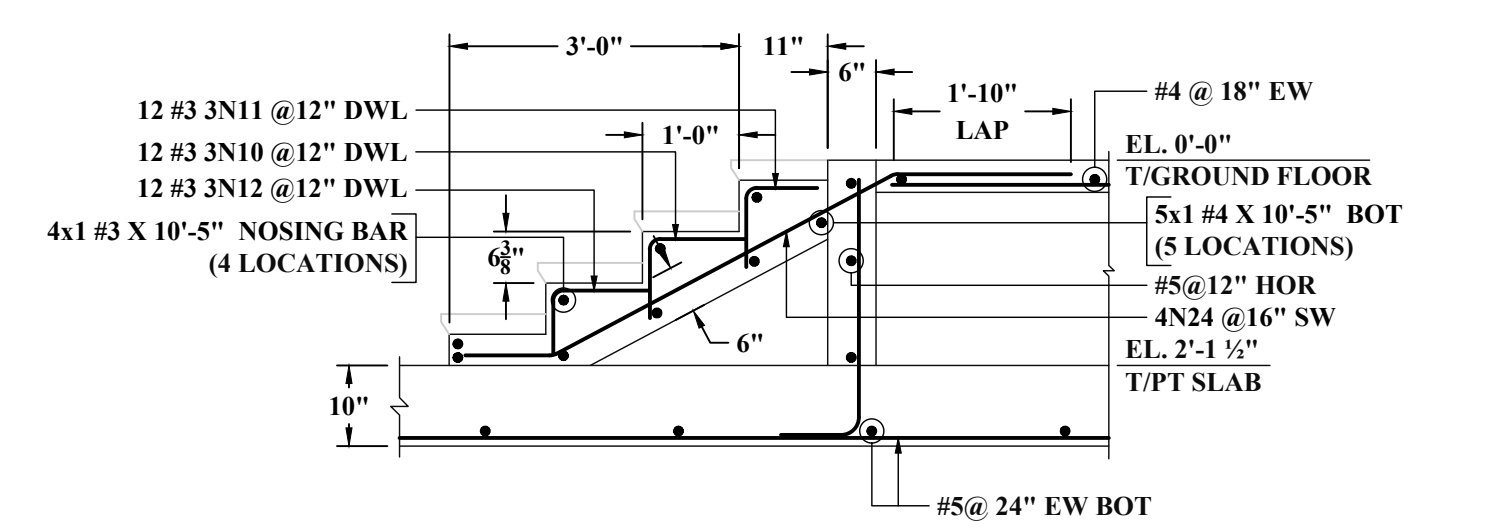
DETAIL-G
SCALE: 1/4"=1'-0"
REF: L3.02 & C100



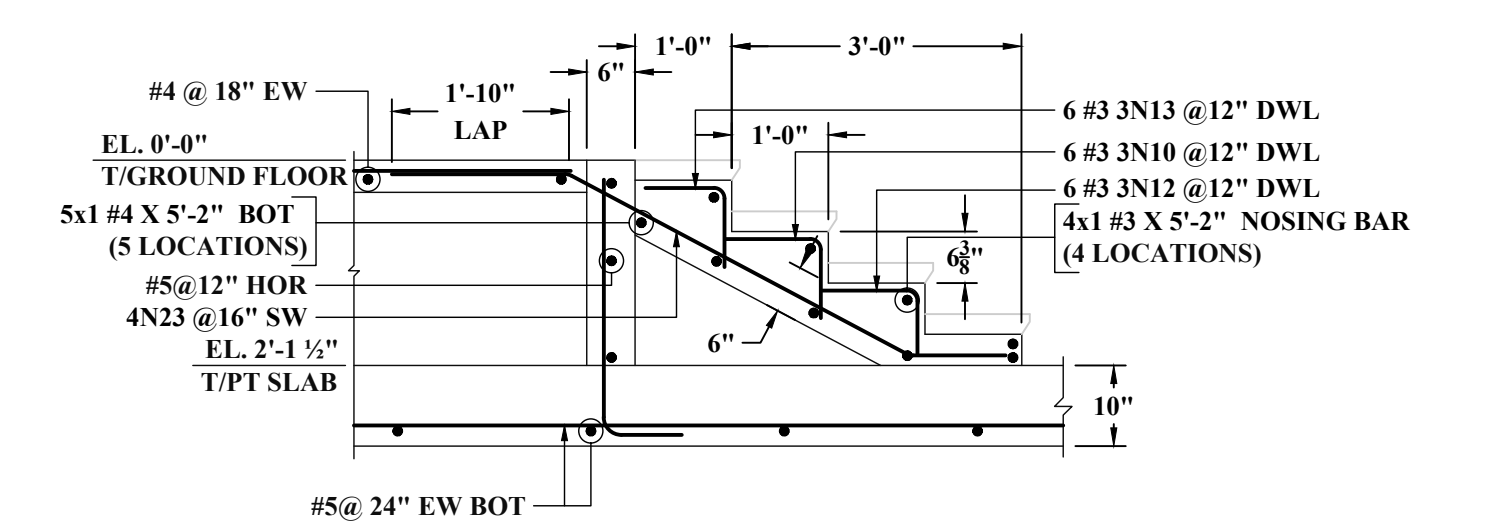
DETAIL-H
SCALE: 1/4"=1'-0"
REF: L3.02 & C100



DETAIL-J
SCALE: 1/4"=1'-0"
REF: L3.02 & C100



SECTION 26
SCALE: 1/2"=1'-0"
REF: 2/A655



SECTION 27
SCALE: 1/2"=1'-0"
REF: 2/A655

LAP SCHEDULE (CLASS-B)
REF: S101A

SIZE	5000 PSI	
	TOP	OTHER
#3	22"	17"
#4	29"	22"
#5	36"	28"
#6	43"	33"
#7	63"	49"
#8	72"	55"
#9	81"	63"
#10	91"	70"

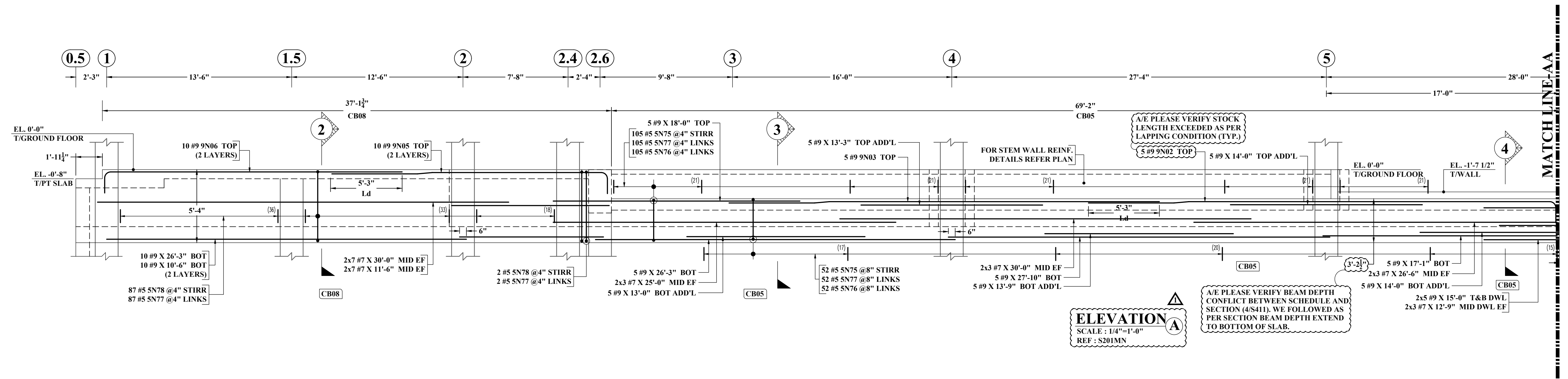
ABBREVIATIONS

ABBREVIATION	DESCRIPTION
BOTTOM	BOT
TOP/BOTTOM	T&B
CONTINUOUS	CONT
VERTICAL	VERT
HORIZONTAL	HOR
EACH WAY	EW
EACH FACE	EF
DOWEL	DWL
DOWEL/VERTICAL	D/V
LONG WAY BAR	LW
SHORT WAY BAR	SW

- NOTES:-**
1. TYPICAL CLEARANCES
A). INTERIOR TOP - 3/4"
B). EXTERIOR TOP - 1"
C). BOTTOM - 3/4"
 2. A/E PLEASE VERIFY THE ALL CLOUED ITEMS
 3. PROVIDE FIELD CUT AS REQUIRED LOCATIONS
 4. BARS TO BE PLACED AT EQUAL SPACING U.O.N.
 5. TILT HOOK TO ACCOMMODATE THE COVER, IF NEED

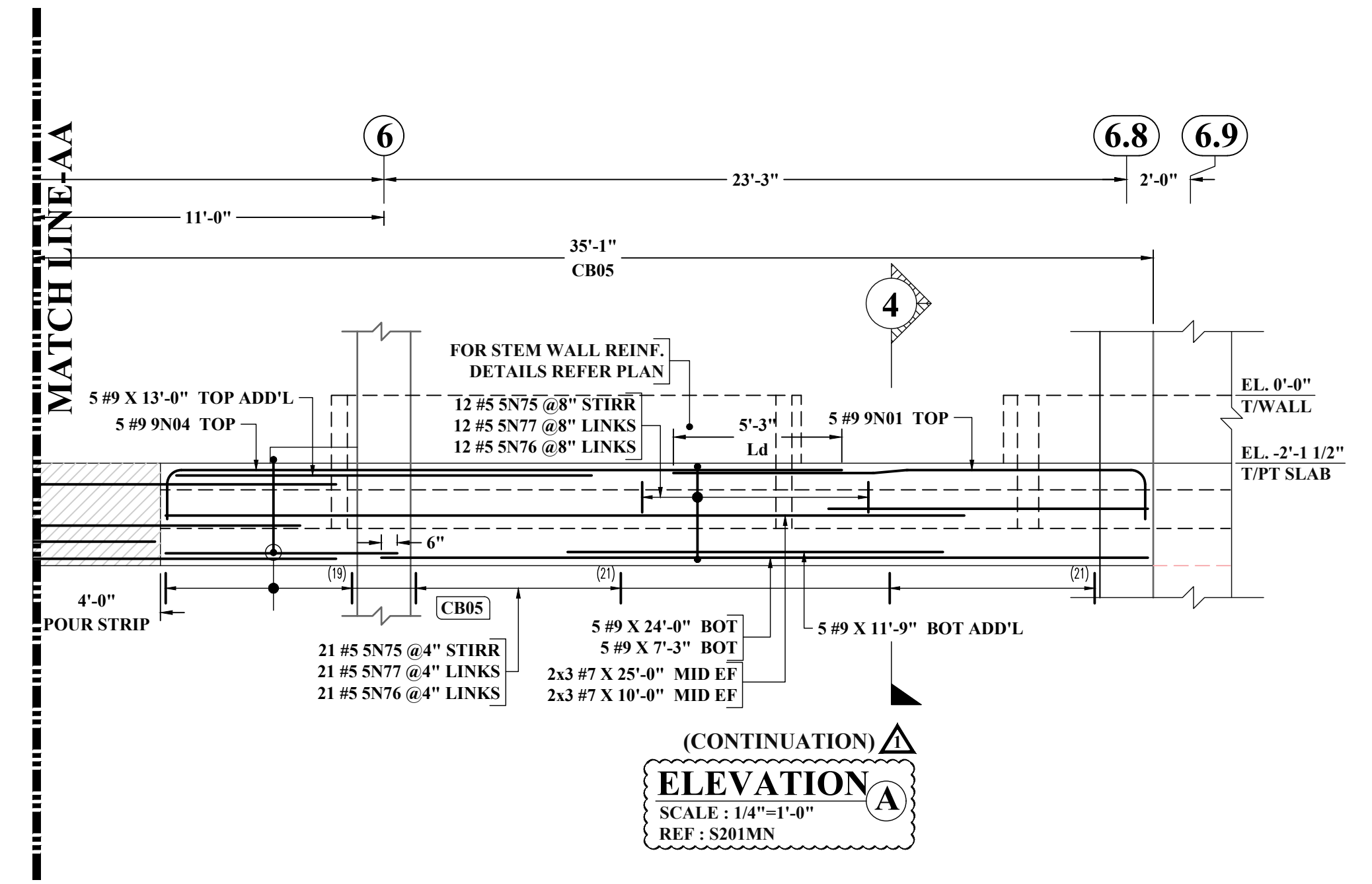
ALL BARS IN THIS DRAWING ASTM A615 GRADE 60 BLACK UNCOATED

NOTE: REINFORCING STEEL PLACING DRAWINGS TO BE USED ONLY IN CONJUNCTION WITH CONTRACT DRAWINGS AND SPECIFICATIONS. ELEVATIONS & DIMENSIONS SHOWN ON THIS DRAWING ARE FOR VERIFICATION BY THE EOR OR FOR DETAILING PURPOSES ONLY AND SHOULD NOT BE USED FOR CONSTRUCTION UNLESS VERIFIED BY THE ARCHITECT, ENGINEER OF RECORD, OR CONTRACTOR.

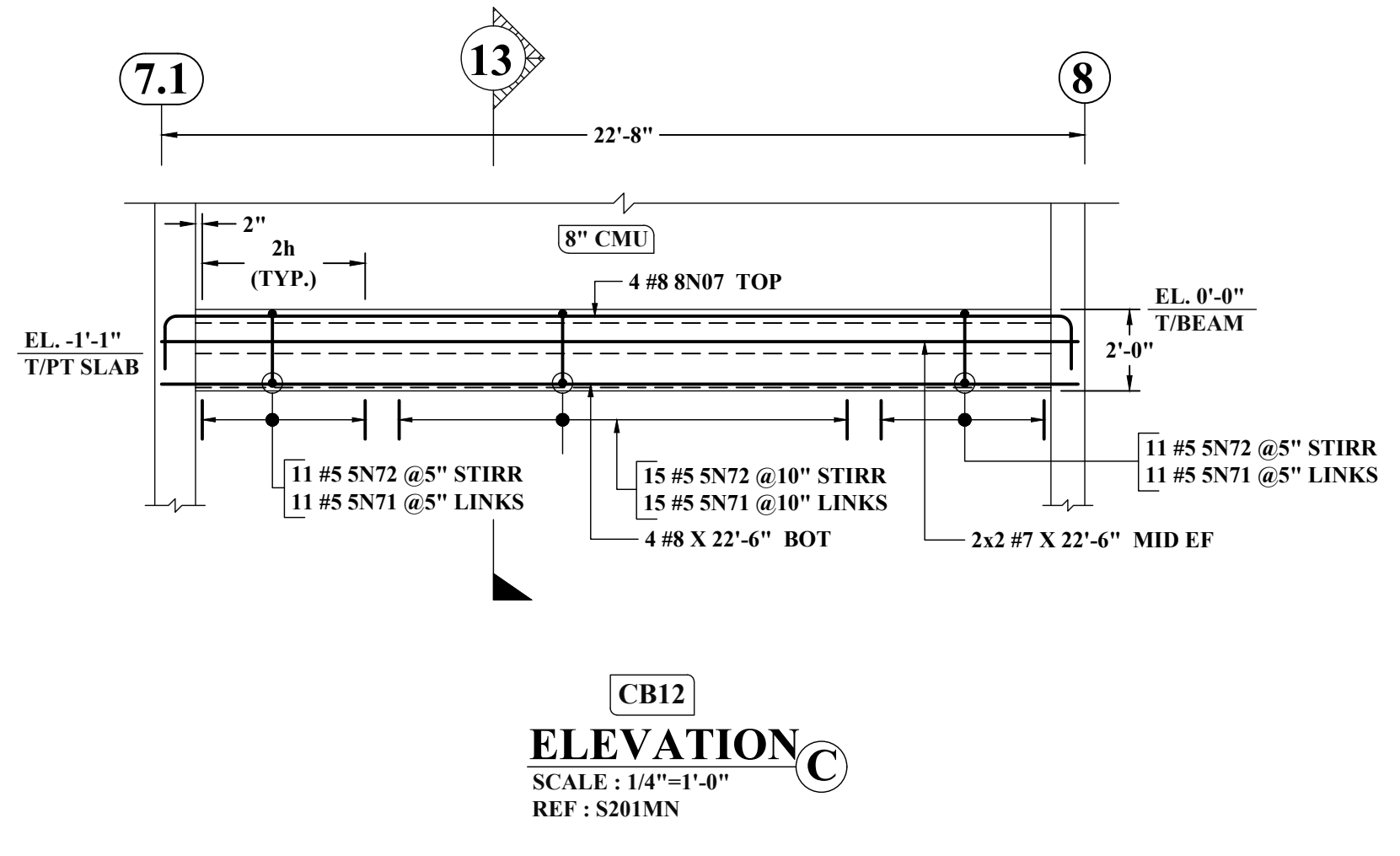


ELEVATION A
SCALE: 1/4"=1'-0"
REF: S201MN

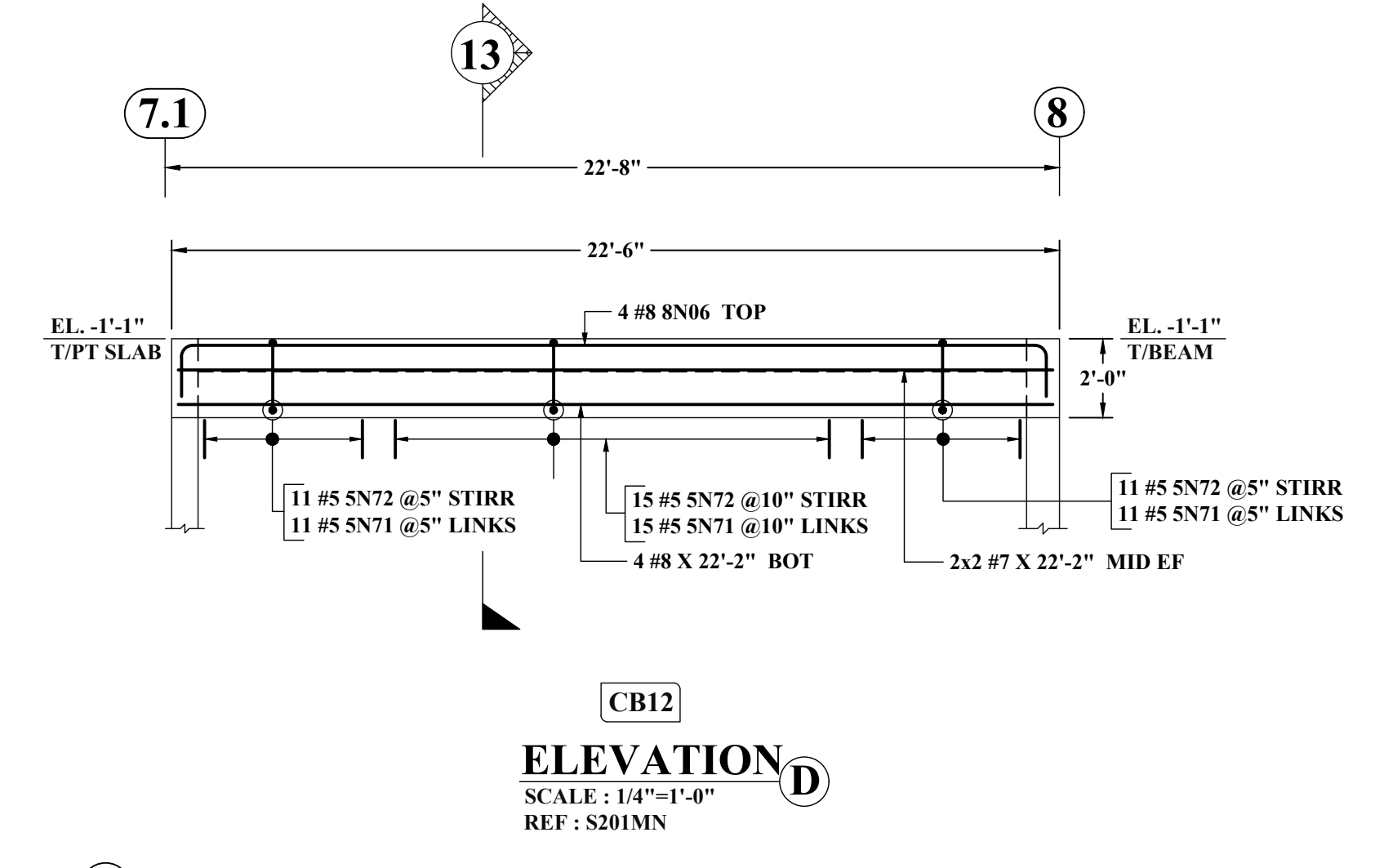
A/E PLEASE VERIFY BEAM DEPTH CONFLICT BETWEEN SCHEDULE AND SECTION (4/S41). WE FOLLOWED AS PER SECTION BEAM DEPTH EXTEND TO BOTTOM OF SLAB.



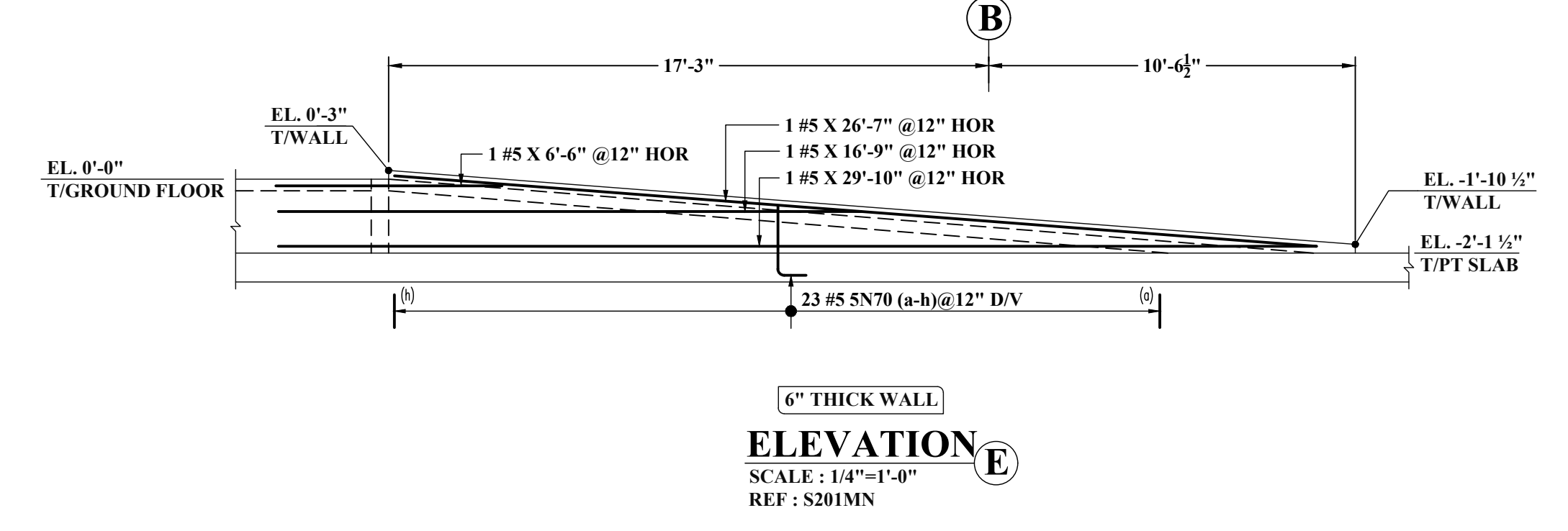
(CONTINUATION)
ELEVATION A
SCALE: 1/4"=1'-0"
REF: S201MN



ELEVATION C
SCALE: 1/4"=1'-0"
REF: S201MN

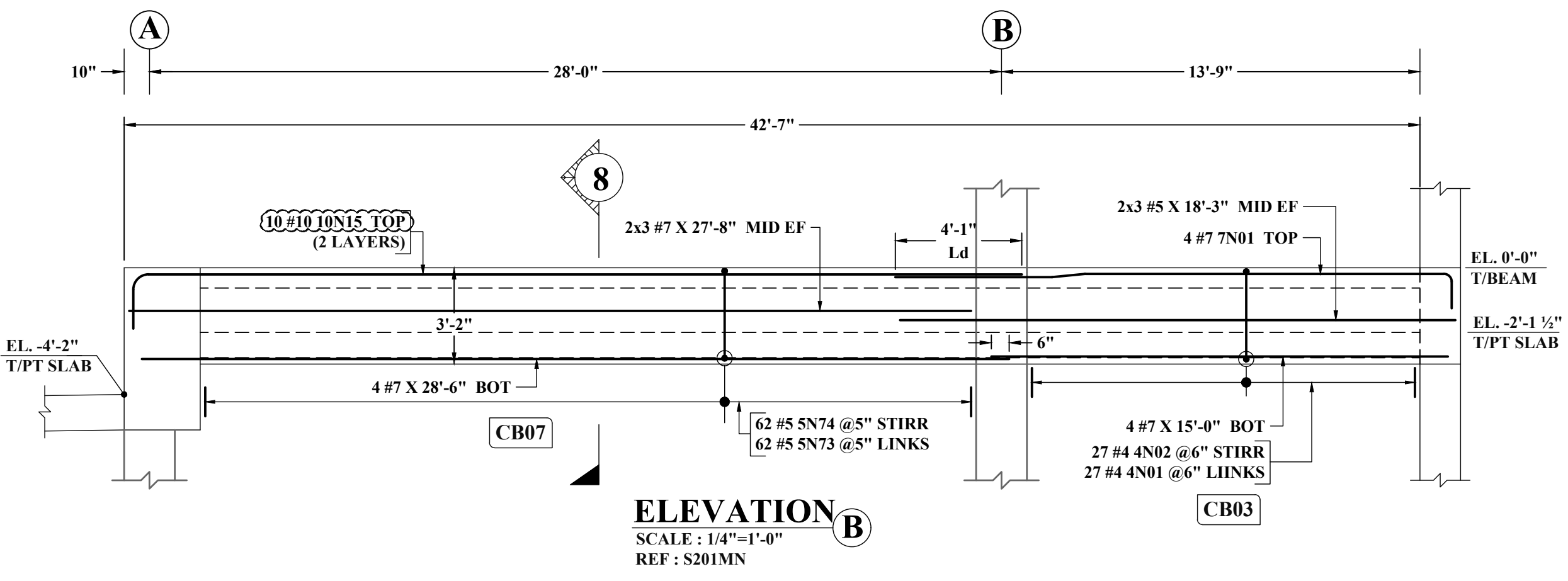


ELEVATION D
SCALE: 1/4"=1'-0"
REF: S201MN

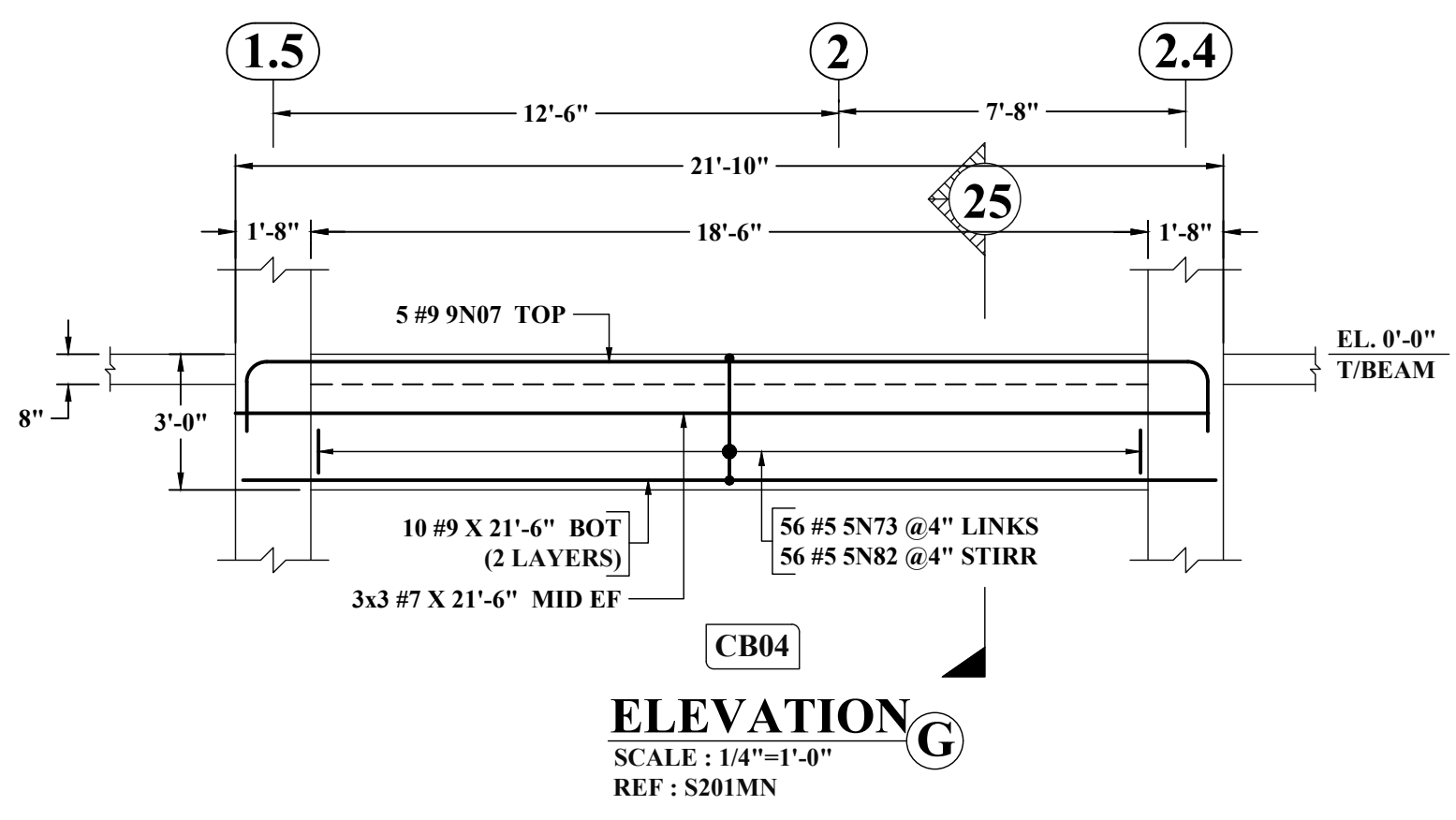


ELEVATION E
SCALE: 1/4"=1'-0"
REF: S201MN

ABBREVIATIONS	
TOP	-
BOTTOM	BOT
TOP&BOTTOM	T&B
CONTINUOUS	CONT
FACE BAR	-
CORNER BAR	COR
VERTICAL	VERT
HORIZONTAL	HOR
STIRRUPS	STIRR
EACH WAY	EW
EACH FACE	EF
INNER FACE	IF
OUTER FACE	OF
EACH SIDE	ES
MASONRY	M
DOWEL	DWL
DOWEL/VERTICAL	D/V
TRANSVERSE	TRANS
LONG WAY BAR	LW
SHORT WAY BAR	SW



ELEVATION B
SCALE: 1/4"=1'-0"
REF: S201MN



ELEVATION G
SCALE: 1/4"=1'-0"
REF: S201MN

A/E PLEASE VERIFY LAP VALUE FOLLOWED

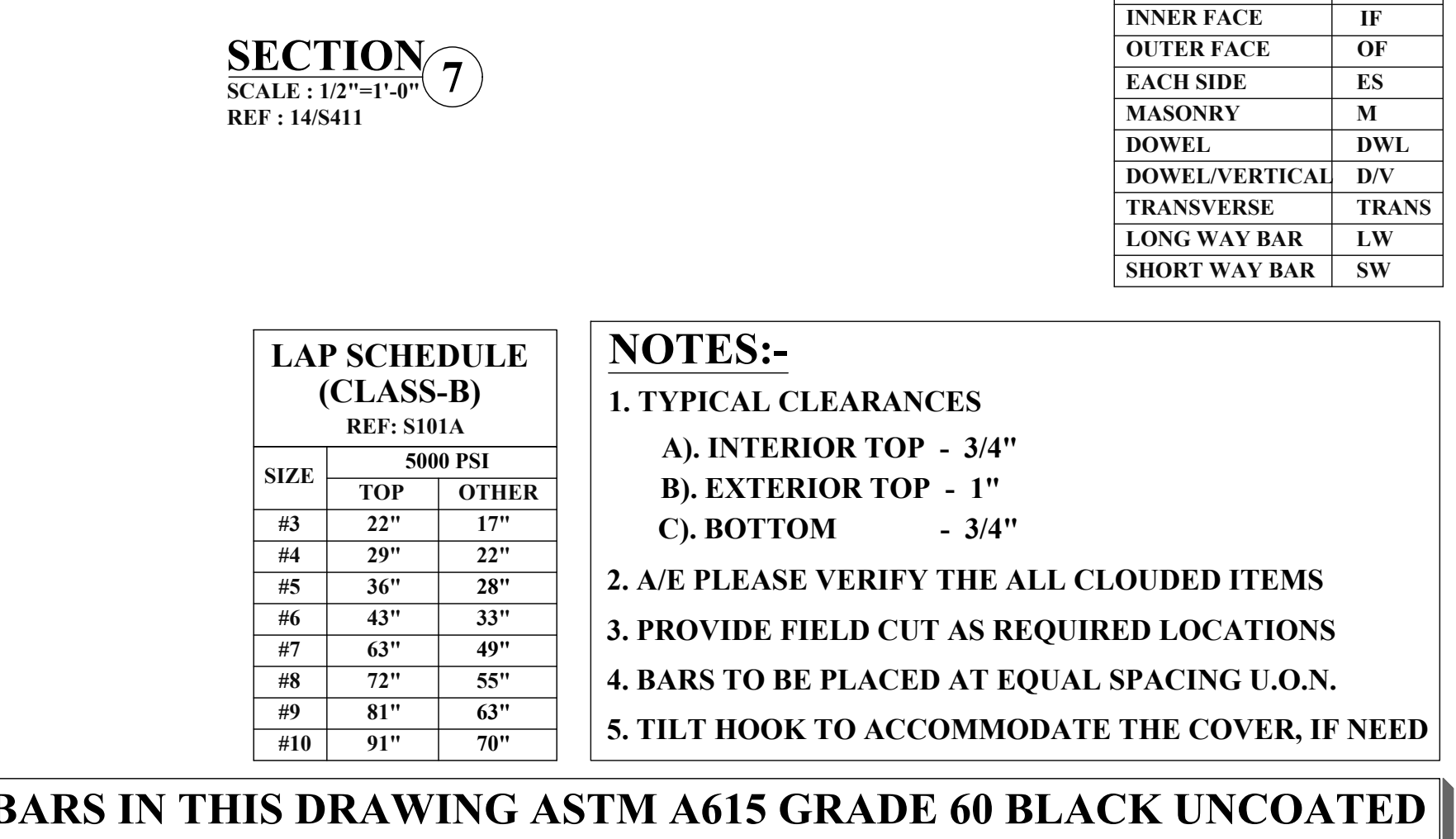
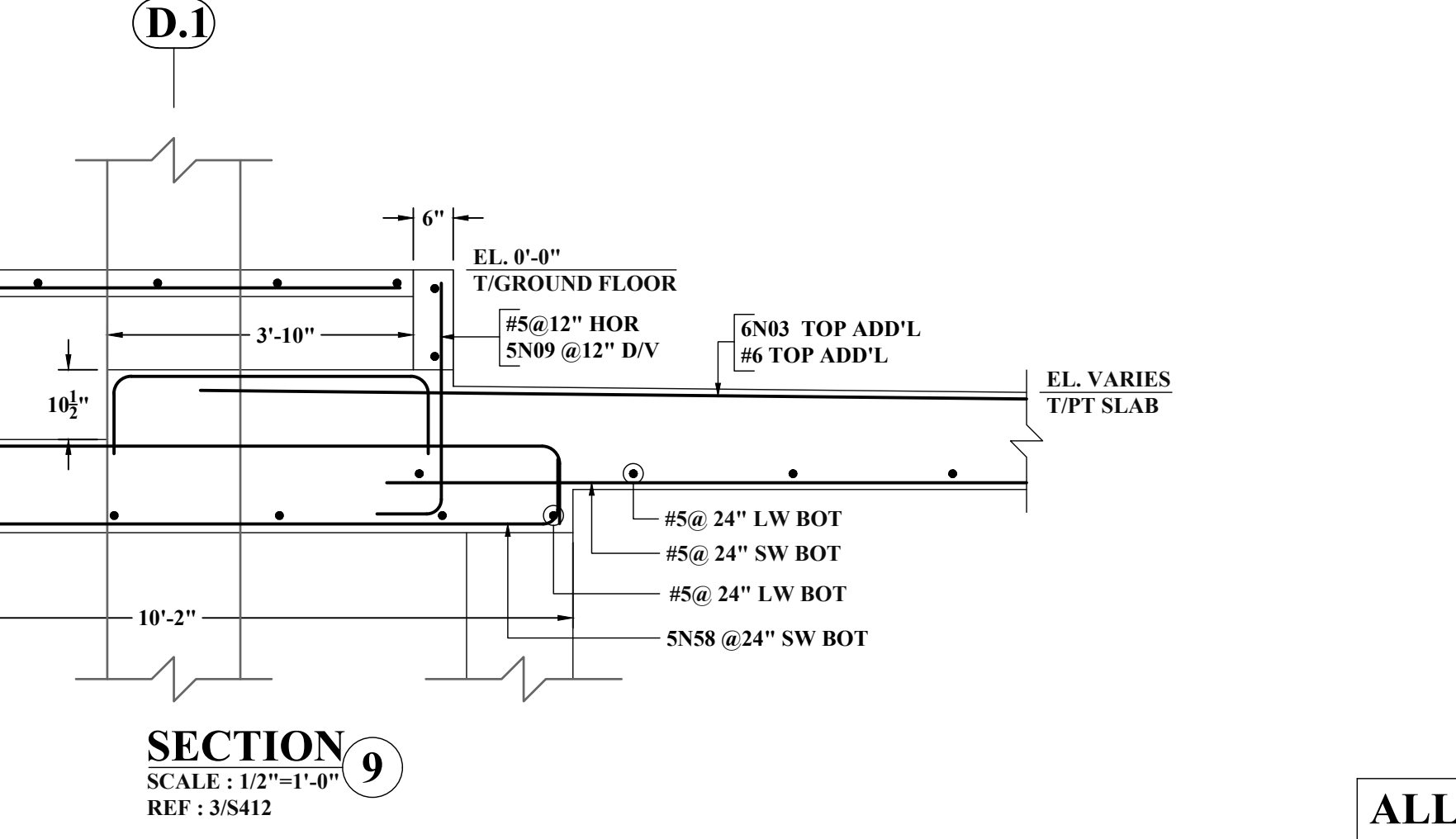
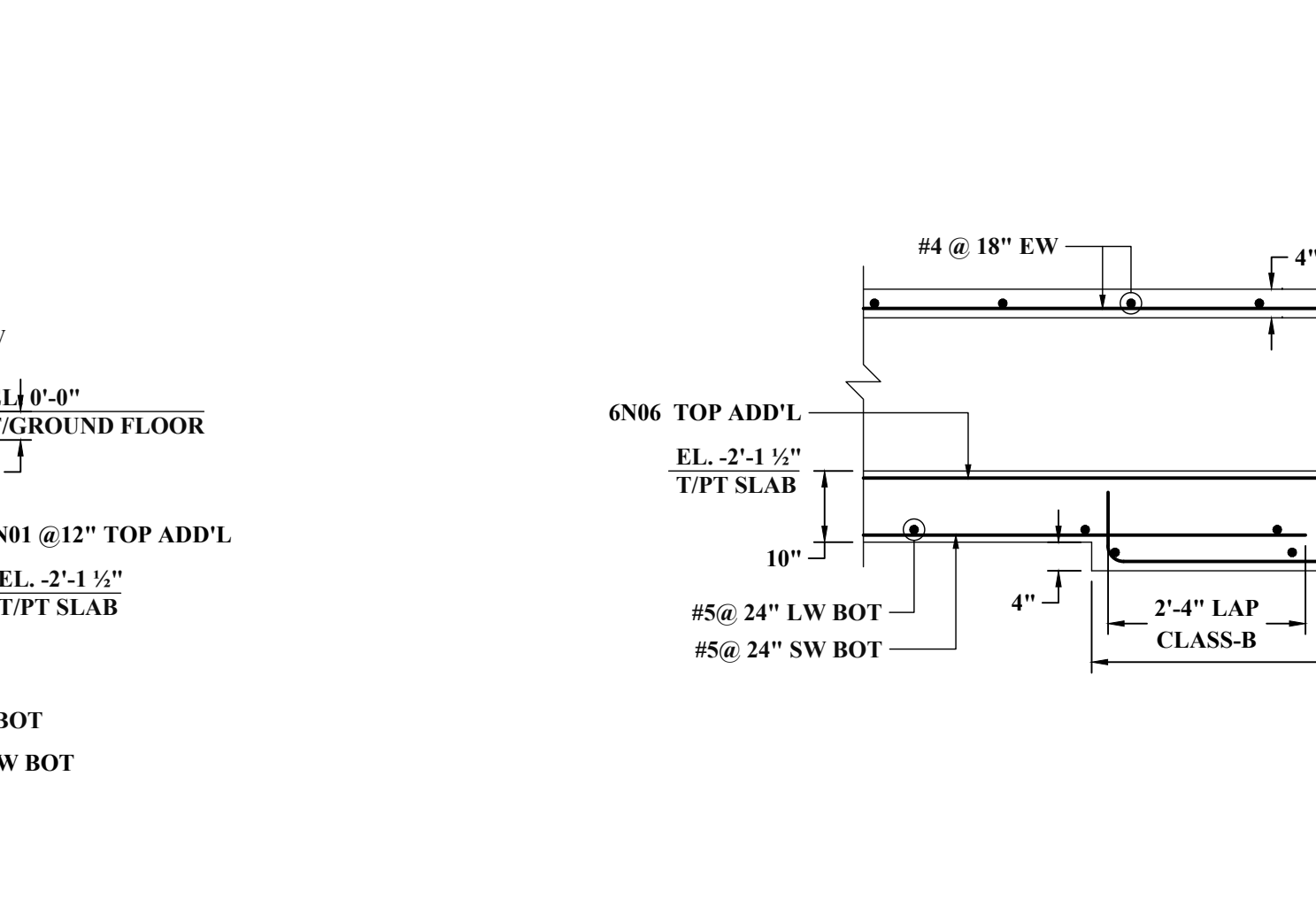
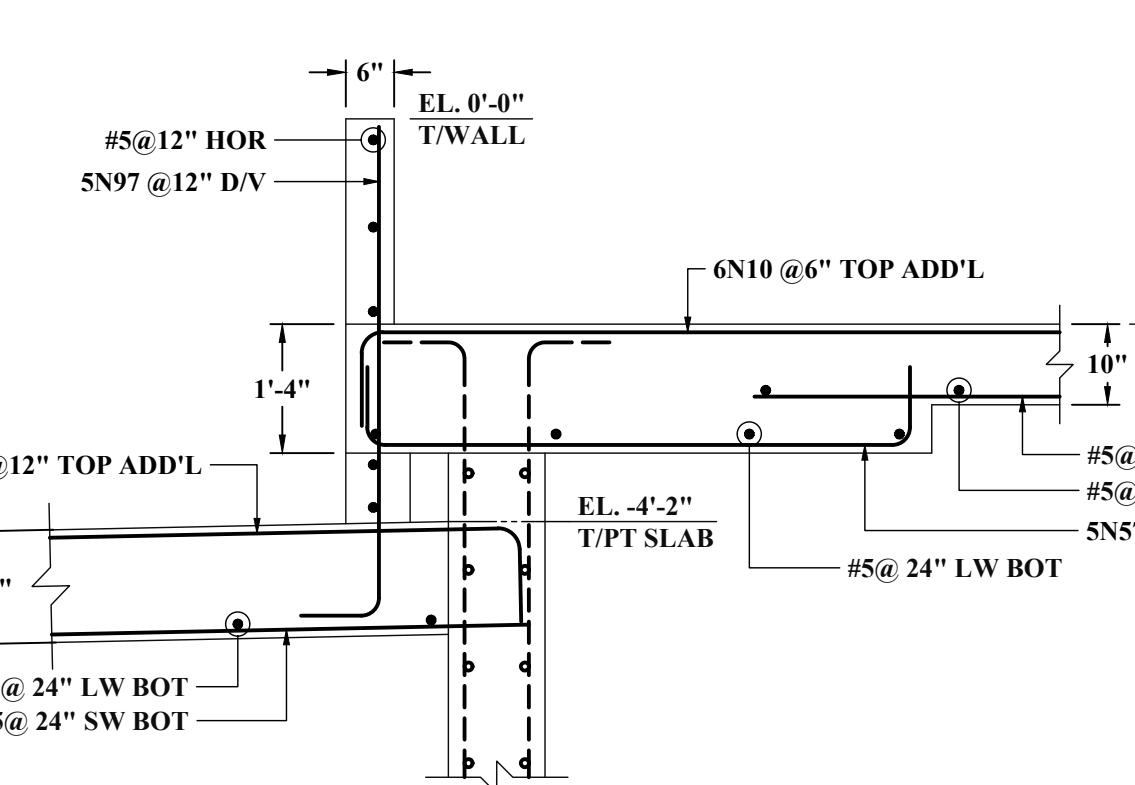
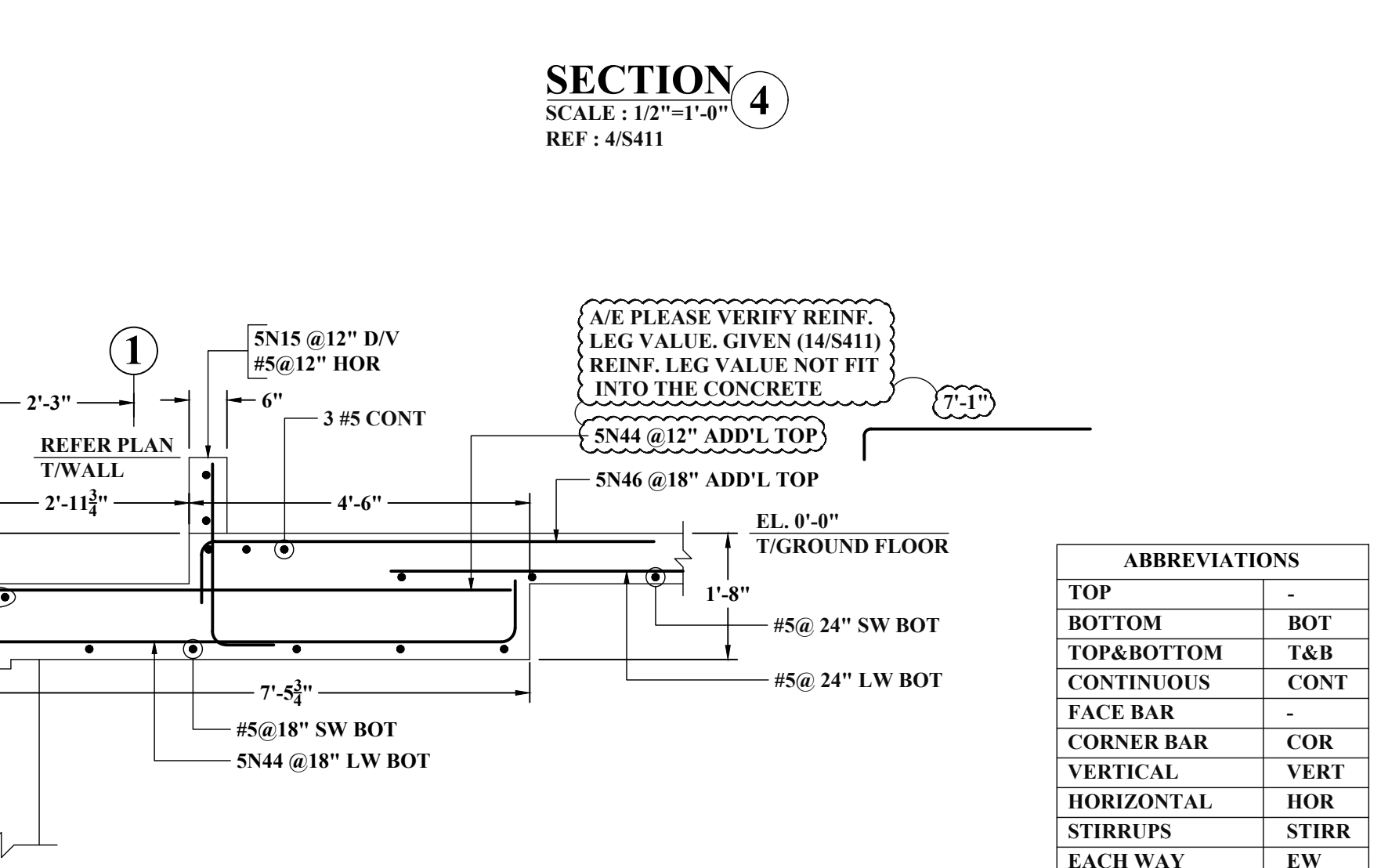
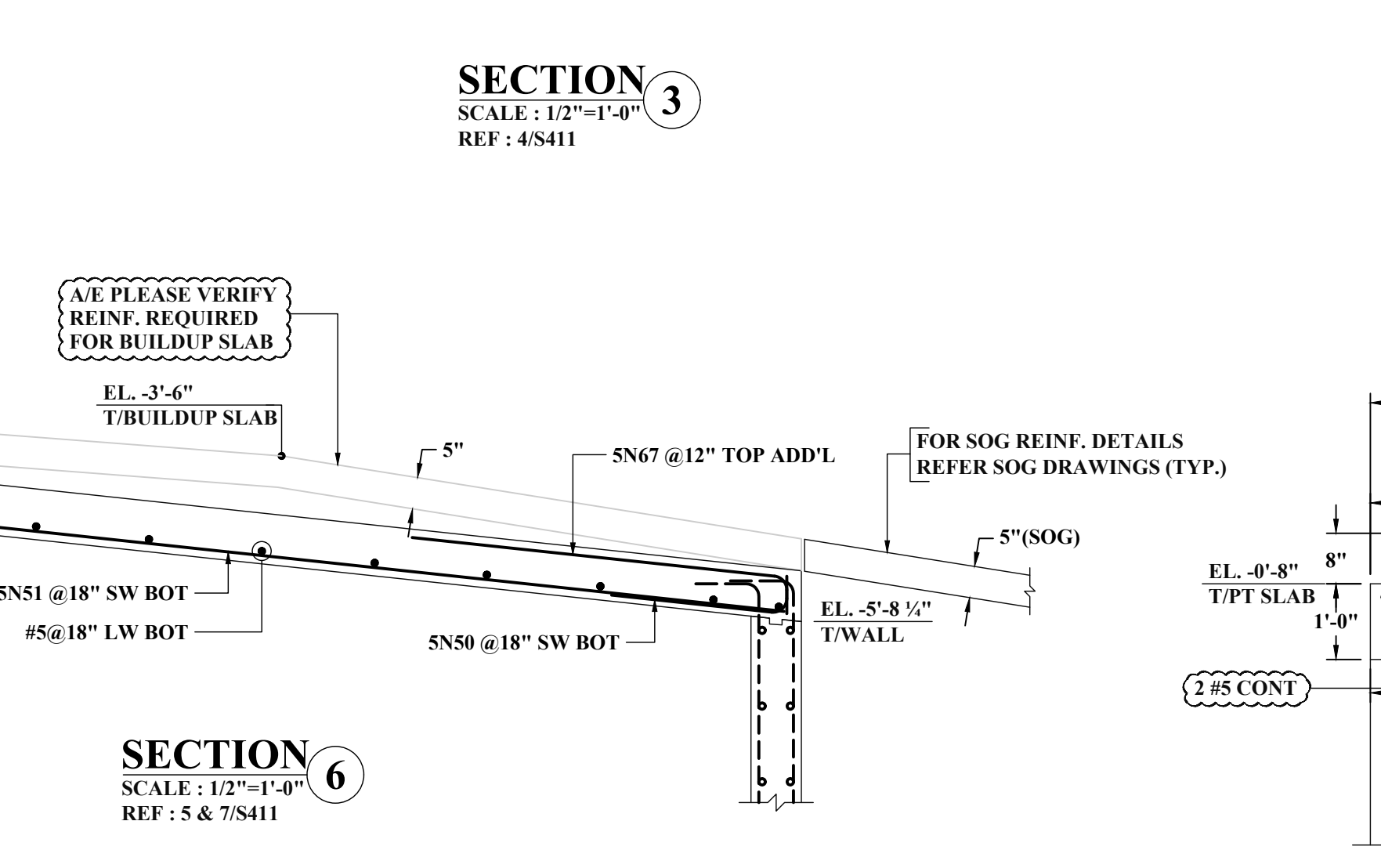
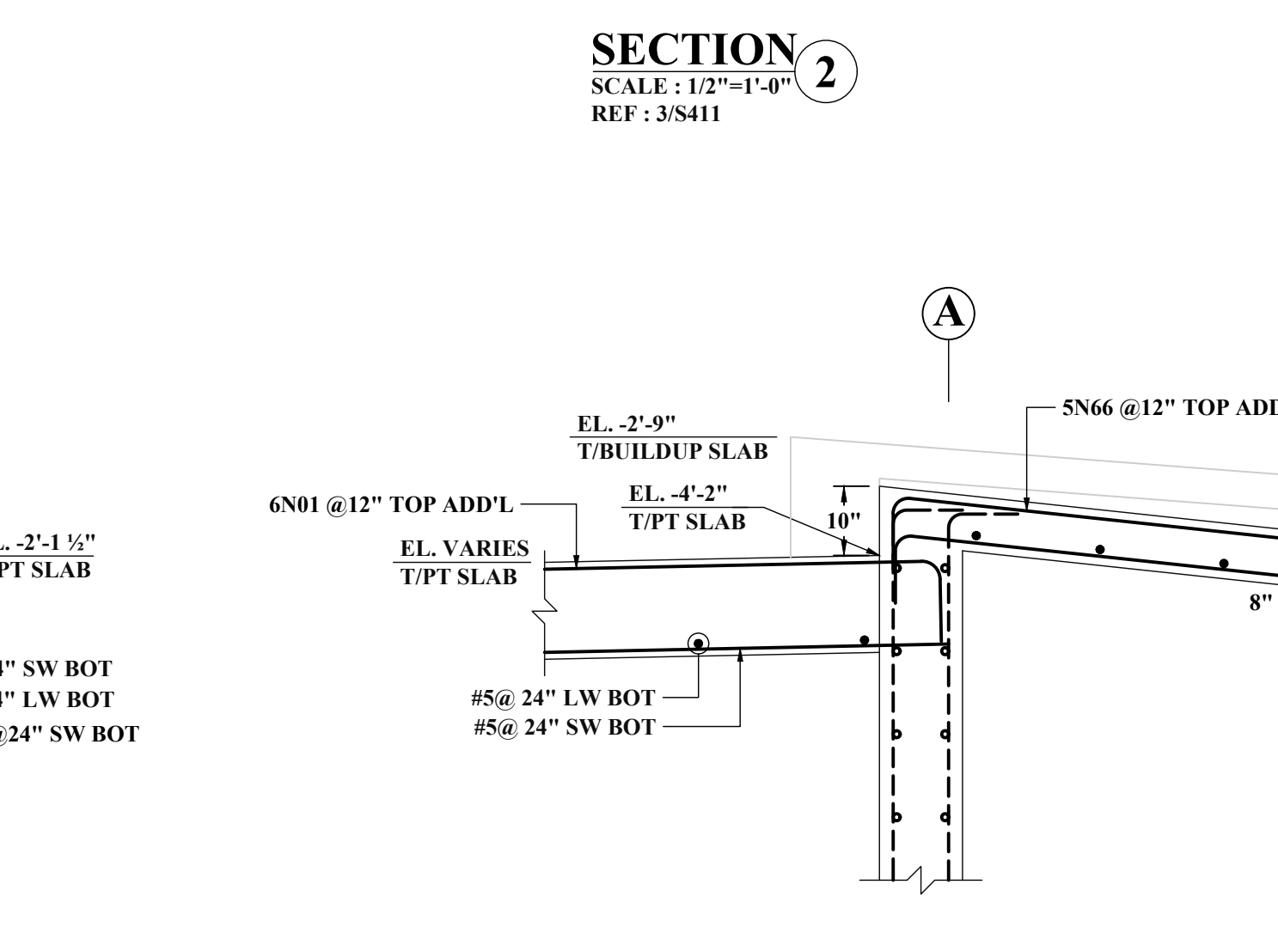
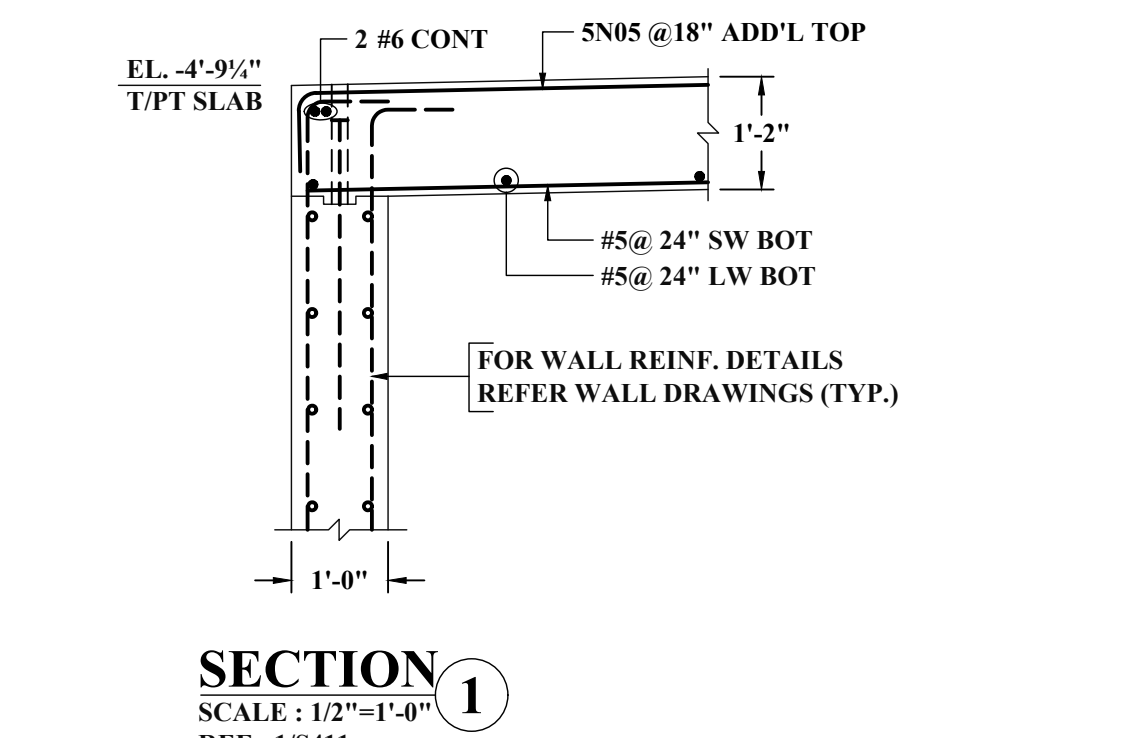
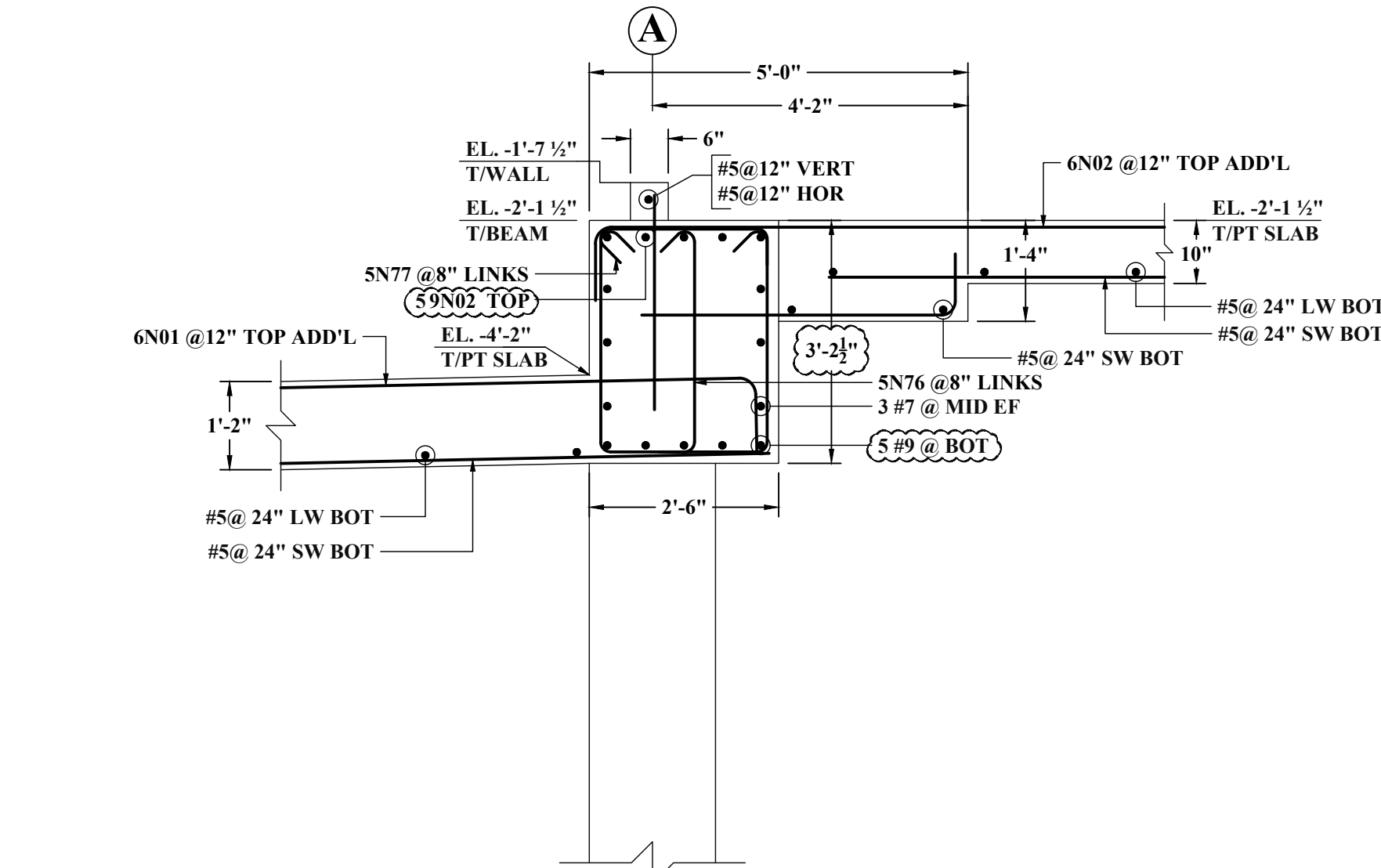
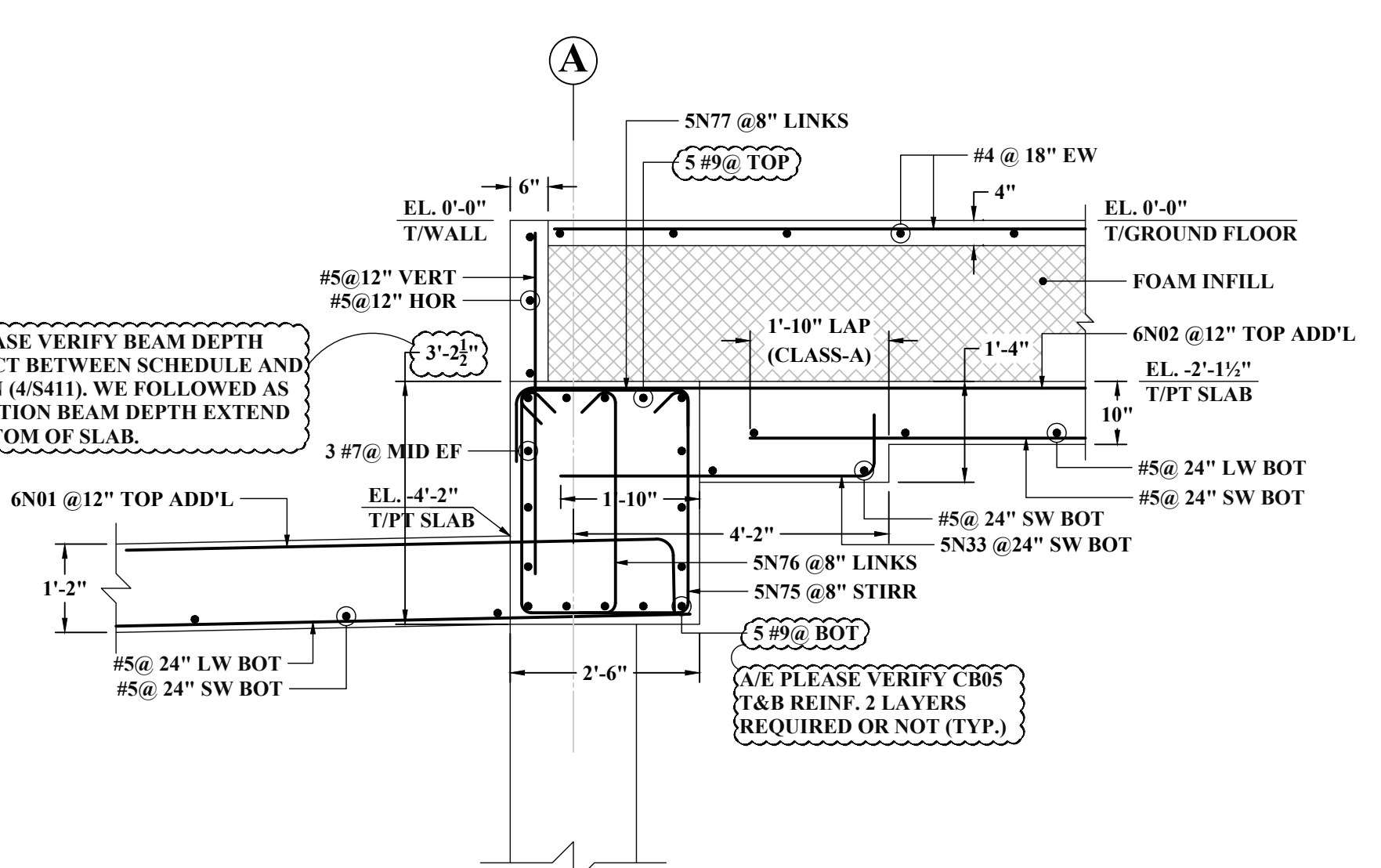
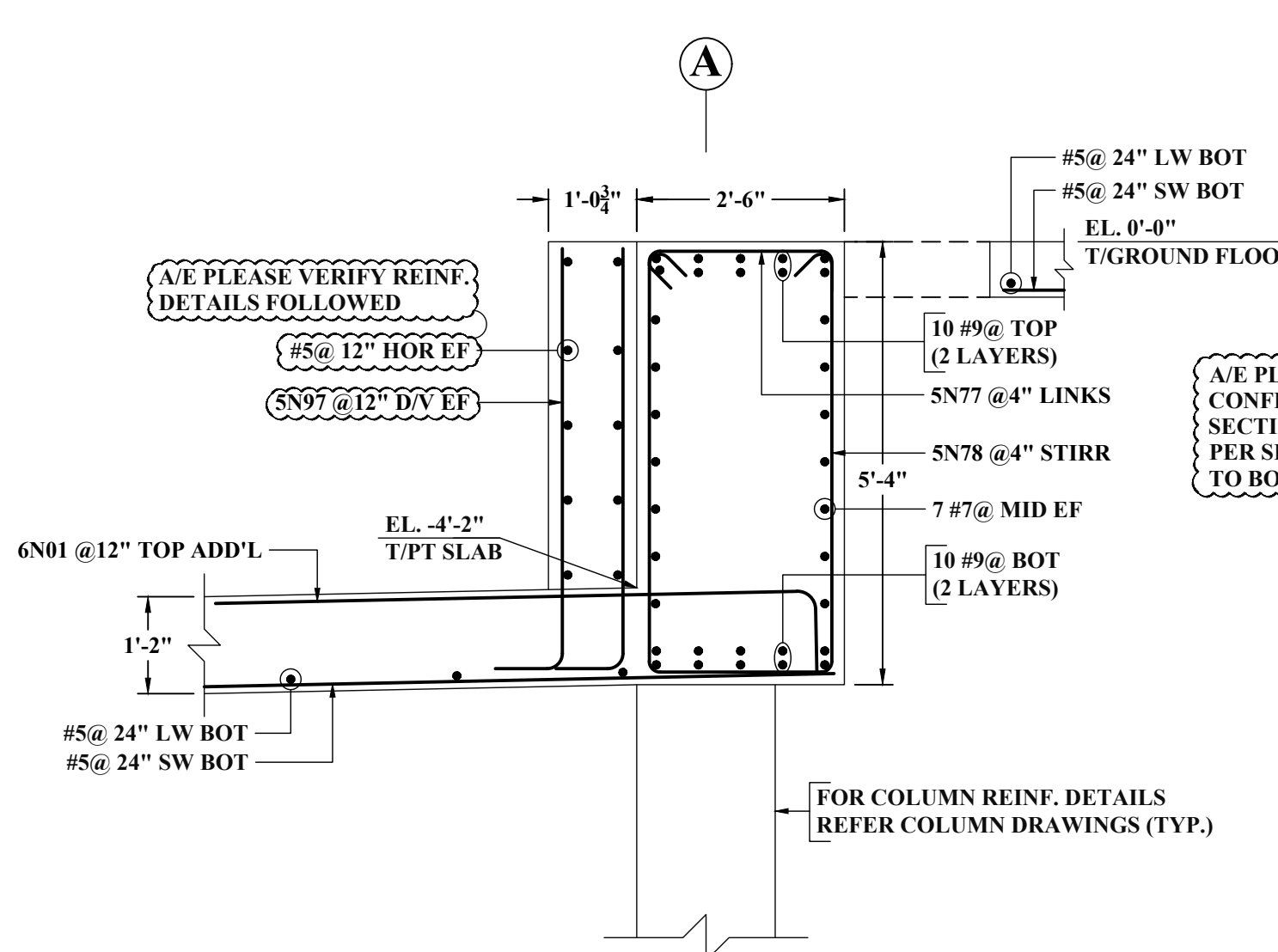
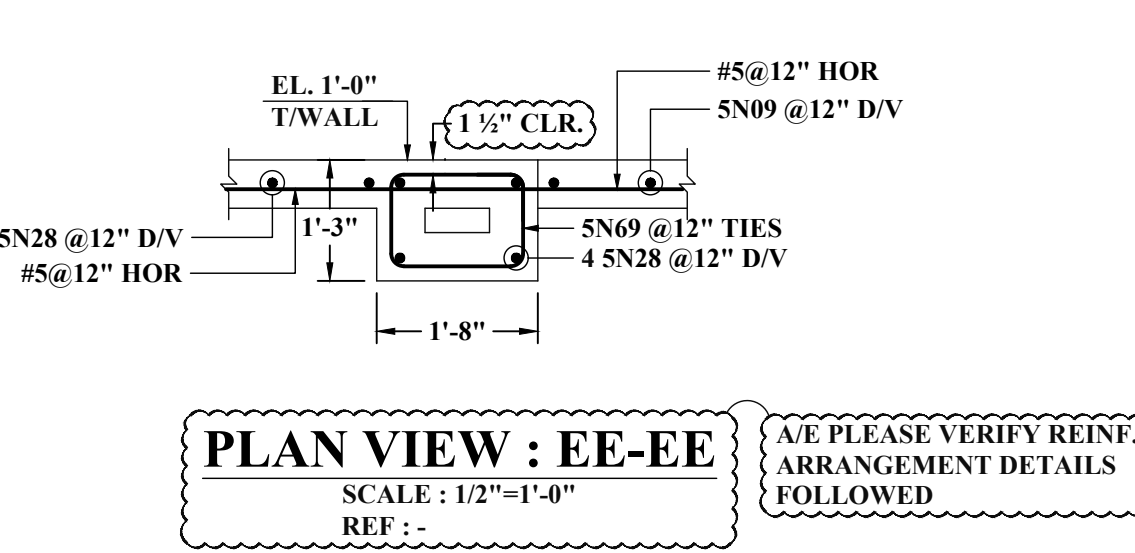
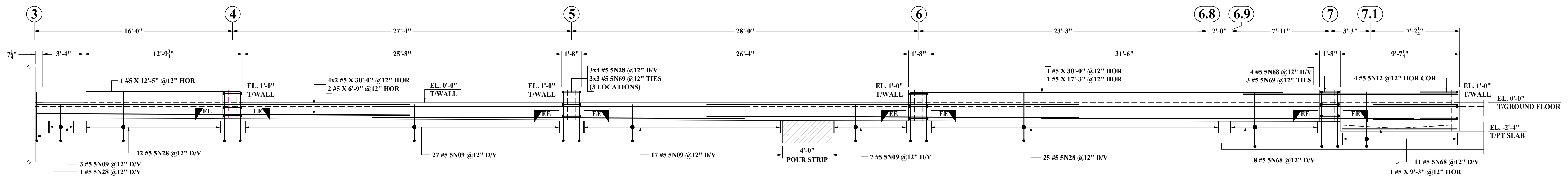
(FOR BEAM)	
LAP SCHEDULE (CLASS-B)	
REF: S101A	
SIZE	5000 PSI TOP (Ld)
#3	17"
#4	22"
#5	28"
#6	33"
#7	49"
#8	55"
#9	63"
#10	70"

(FOR PT SLAB)		
LAP SCHEDULE (CLASS-B)		
REF: S101A		
SIZE	5000 PSI	
	TOP	OTHER
#3	22"	17"
#4	29"	22"
#5	36"	28"
#6	43"	33"
#7	63"	49"
#8	72"	55"
#9	81"	63"
#10	91"	70"

- NOTES:-**
1. TYPICAL CLEARANCES
A). INTERIOR TOP - 3/4"
B). EXTERIOR TOP - 1"
C). BOTTOM - 3/4"
 2. A/E PLEASE VERIFY THE ALL CLOUDED ITEMS
 3. PROVIDE FIELD CUT AS REQUIRED LOCATIONS
 4. BARS TO BE PLACED AT EQUAL SPACING U.O.N.
 5. TILT HOOK TO ACCOMMODATE THE COVER, IF NEED

ALL BARS IN THIS DRAWING ASTM A615 GRADE 60 BLACK UNCOATED

NOTE: REINFORCING STEEL PLACING DRAWINGS TO BE USED ONLY IN CONJUNCTION WITH CONTRACT DRAWINGS AND SPECIFICATIONS. ELEVATIONS & DIMENSIONS SHOWN ON THIS DRAWING ARE FOR VERIFICATION BY THE EOR OR FOR DETAILING PURPOSES ONLY AND SHOULD NOT BE USED FOR CONSTRUCTION UNLESS VERIFIED BY THE ARCHITECT, ENGINEER OF RECORD, OR CONTRACTOR.



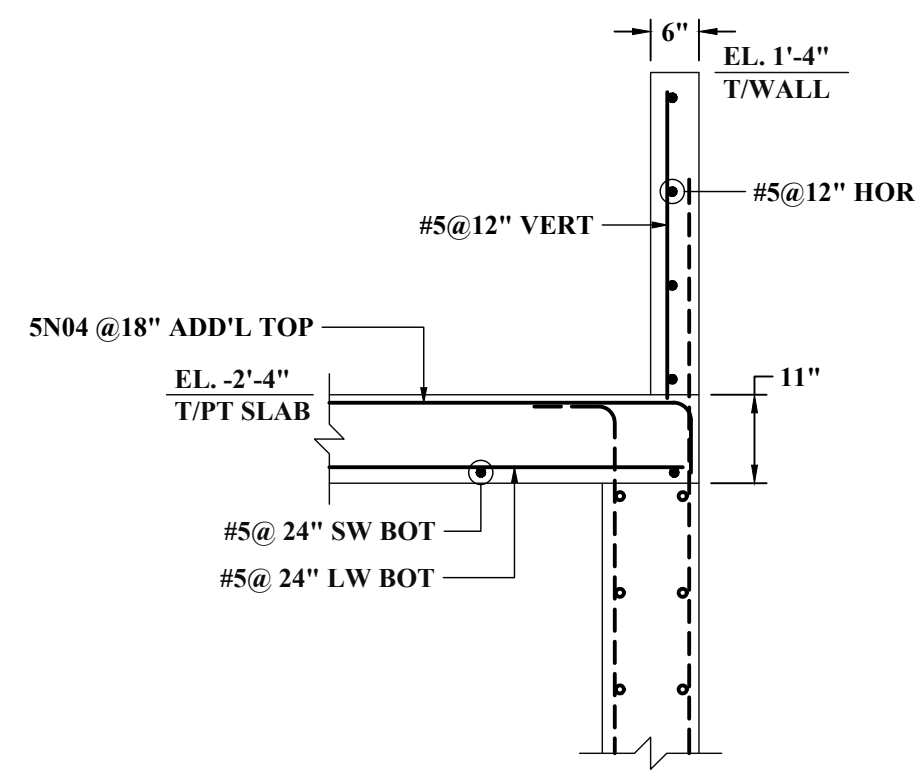
ABBREVIATIONS	
TOP	-
BOTTOM	BOT
TOP&BOTTOM	T&B
CONTINUOUS	CONT
FACE BAR	-
CORNER BAR	COR
VERTICAL	VERT
HORIZONTAL	HOR
STIRRUPS	STIRR
EACH WAY	EW
EACH FACE	EF
INNER FACE	IF
OUTER FACE	OF
EACH SIDE	ES
MASONRY	M
DOWEL	DWL
DOWEL/VERTICAL	D/V
TRANSVERSE	TRANS
LONG WAY BAR	LW
SHORT WAY BAR	SW

LAP SCHEDULE (CLASS-B)		
REF: S101A		
SIZE	5000 PSI	
	TOP	OTHER
#3	22"	17"
#4	29"	22"
#5	36"	28"
#6	43"	33"
#7	63"	49"
#8	72"	55"
#9	81"	63"
#10	91"	70"

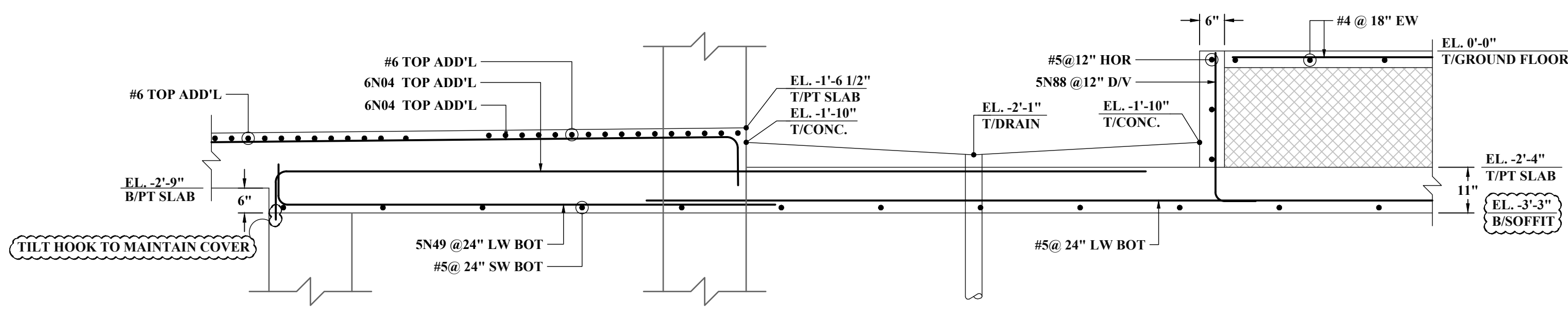
- NOTES:-**
- TYPICAL CLEARANCES
A). INTERIOR TOP - 3/4"
B). EXTERIOR TOP - 1"
C). BOTTOM - 3/4"
 - A/E PLEASE VERIFY THE ALL CLOUDED ITEMS
 - PROVIDE FIELD CUT AS REQUIRED LOCATIONS
 - BAR TO BE PLACED AT EQUAL SPACING U.O.N.
 - TILT HOOK TO ACCOMMODATE THE COVER, IF NEED

ALL BARS IN THIS DRAWING ASTM A615 GRADE 60 BLACK UNCOATED

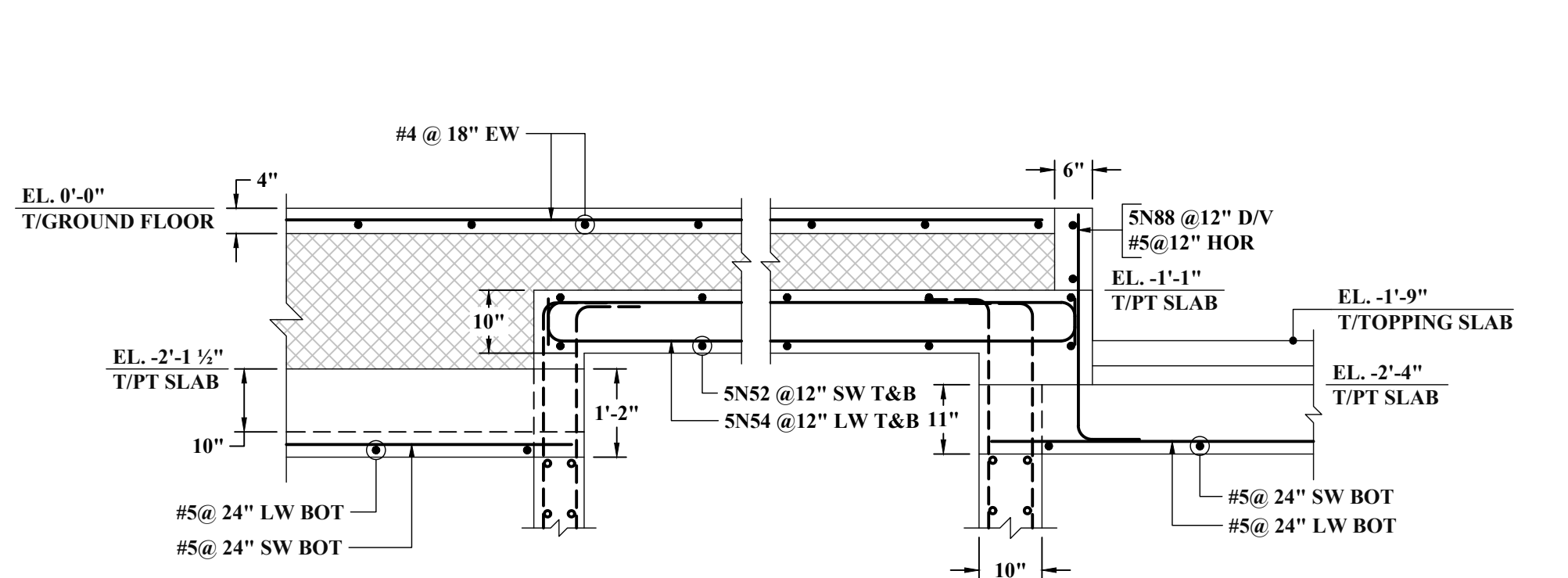
NOTE: REINFORCING STEEL PLACING DRAWINGS TO BE USED ONLY IN CONJUNCTION WITH CONTRACT DRAWINGS AND SPECIFICATIONS. ELEVATIONS & DIMENSIONS SHOWN ON THIS DRAWING ARE FOR VERIFICATION BY THE EOR OR FOR DETAILING PURPOSES ONLY AND SHOULD NOT BE USED FOR CONSTRUCTION UNLESS VERIFIED BY THE ARCHITECT, ENGINEER OF RECORD, OR CONTRACTOR.



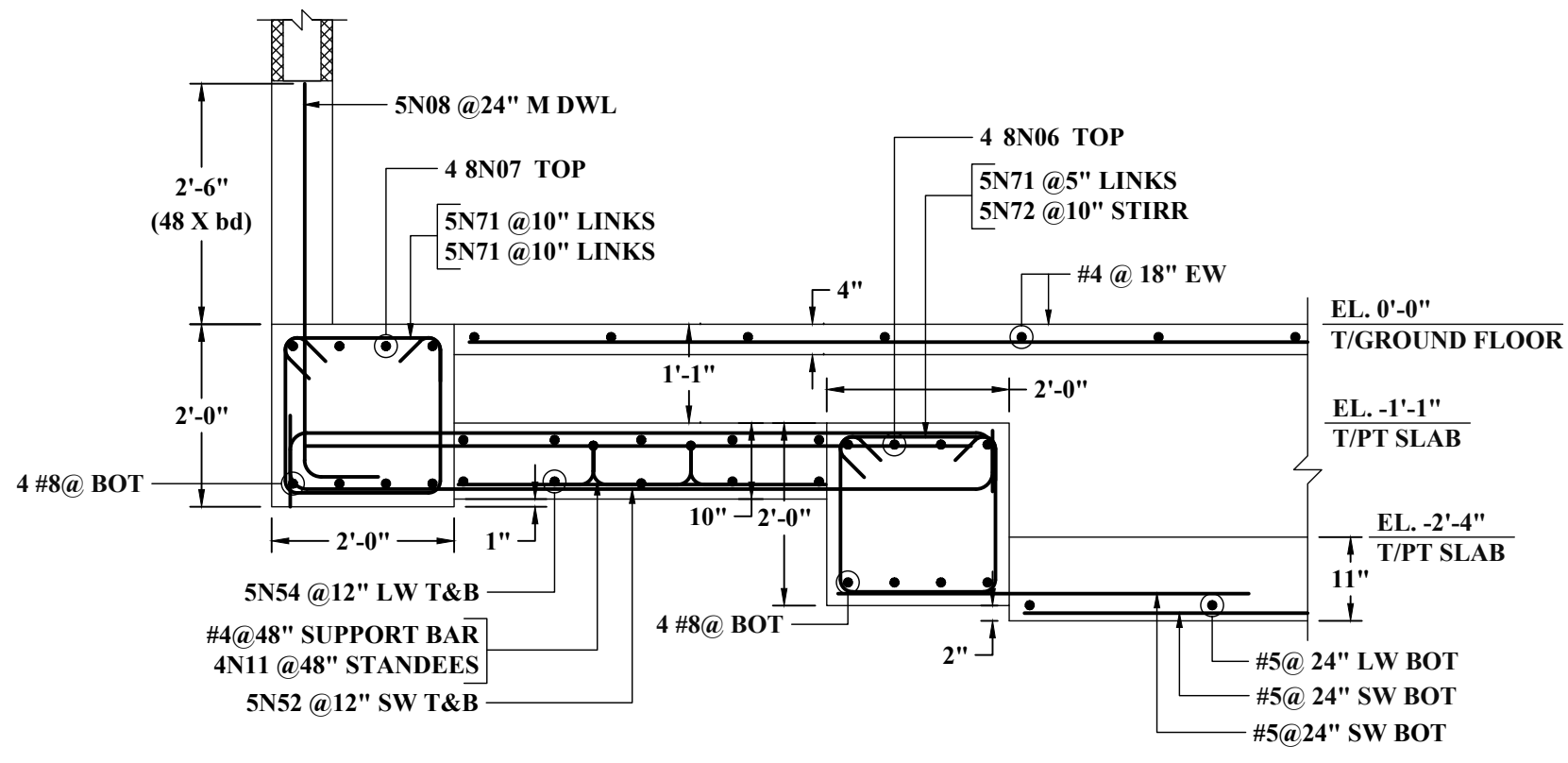
SECTION 10
SCALE: 1/2"=1'-0"
REF: 12/S411



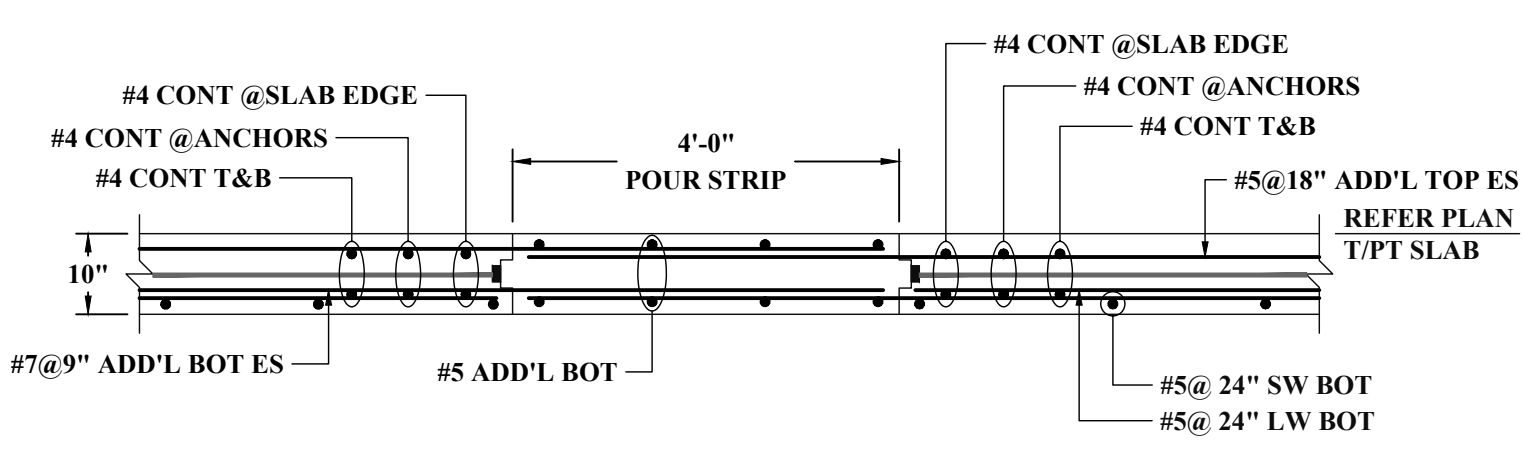
SECTION 11
SCALE: 1/2"=1'-0"
REF: 14/S412



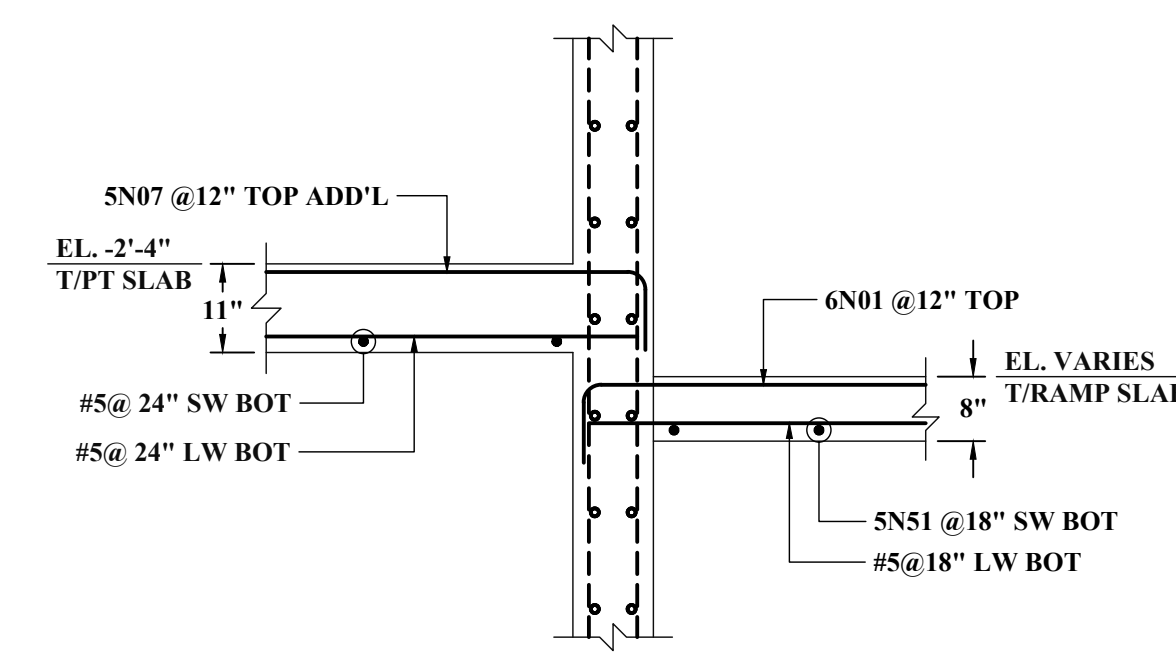
SECTION 12
SCALE: 1/2"=1'-0"
REF: 1 & 7/S412



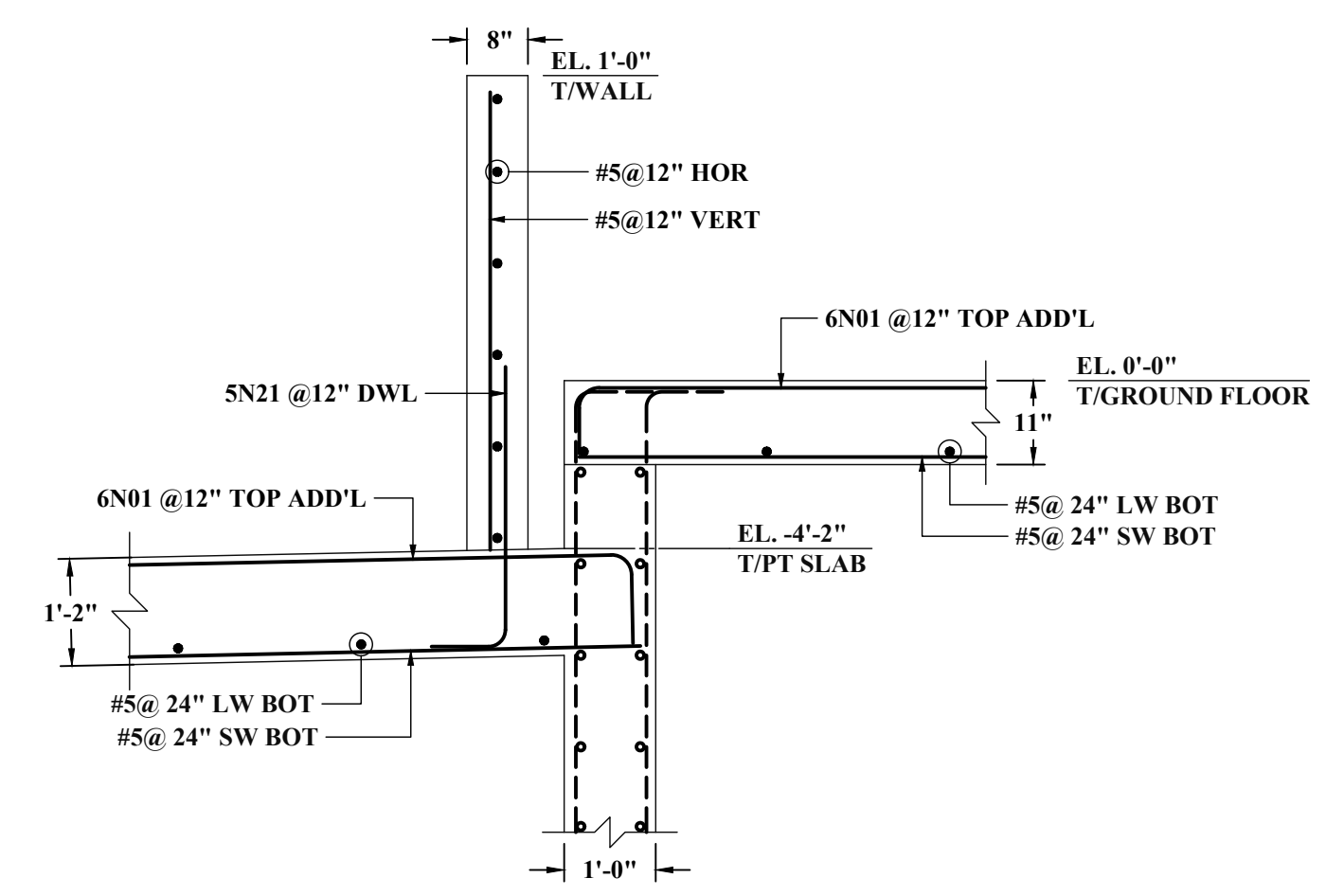
SECTION 13
SCALE: 1/2"=1'-0"
REF: 2/S412



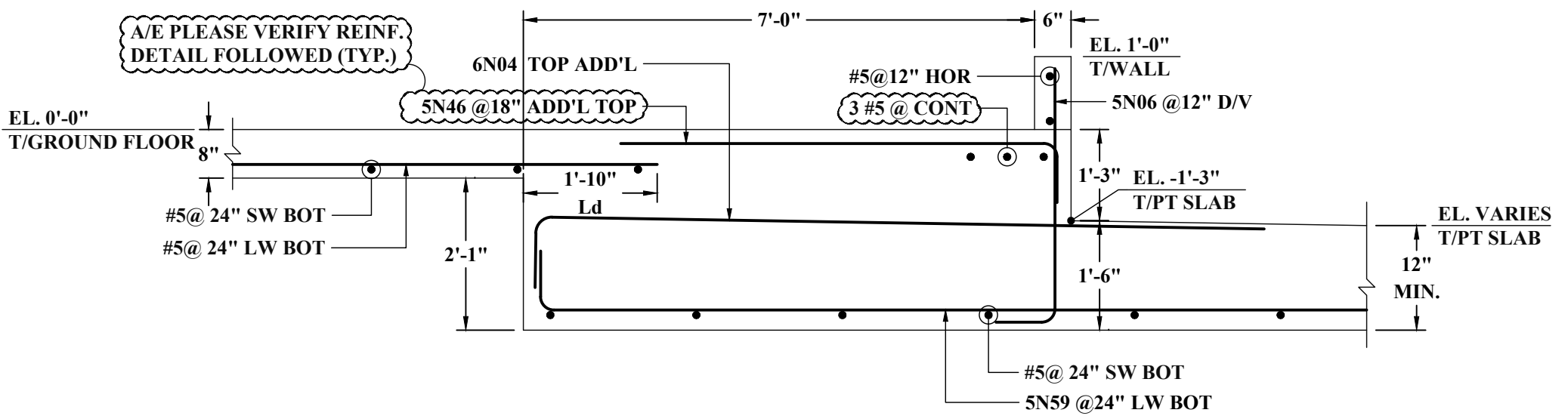
SECTION 14
SCALE: 1/2"=1'-0"
REF: 20/S102



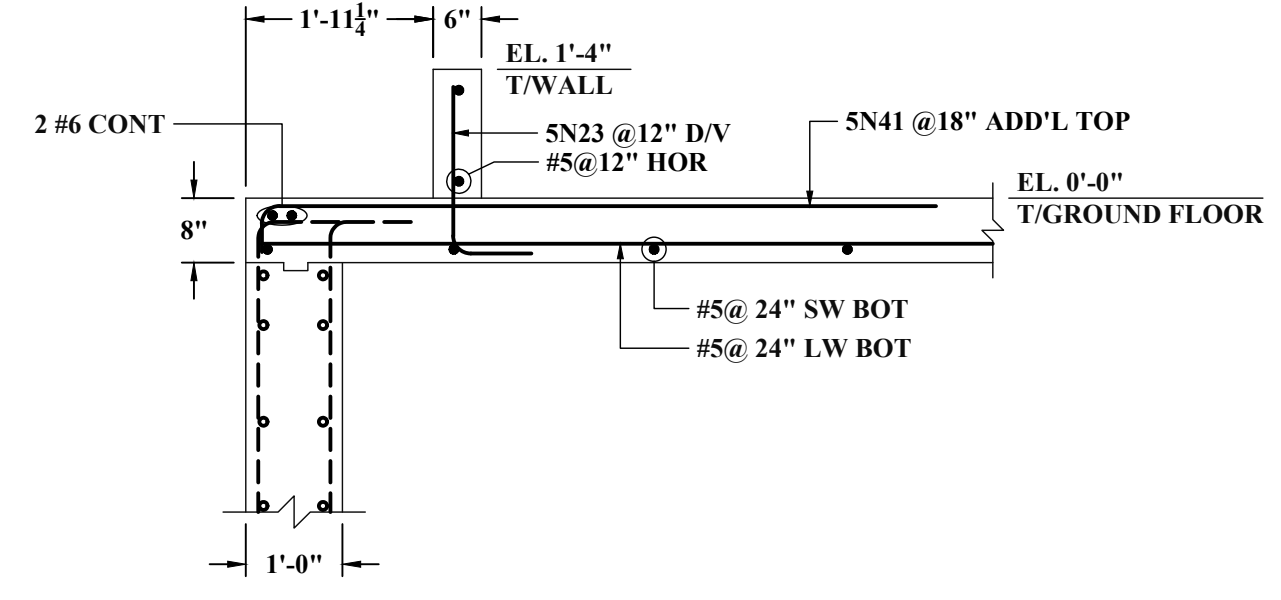
SECTION 15
SCALE: 1/2"=1'-0"
REF: 11/S411



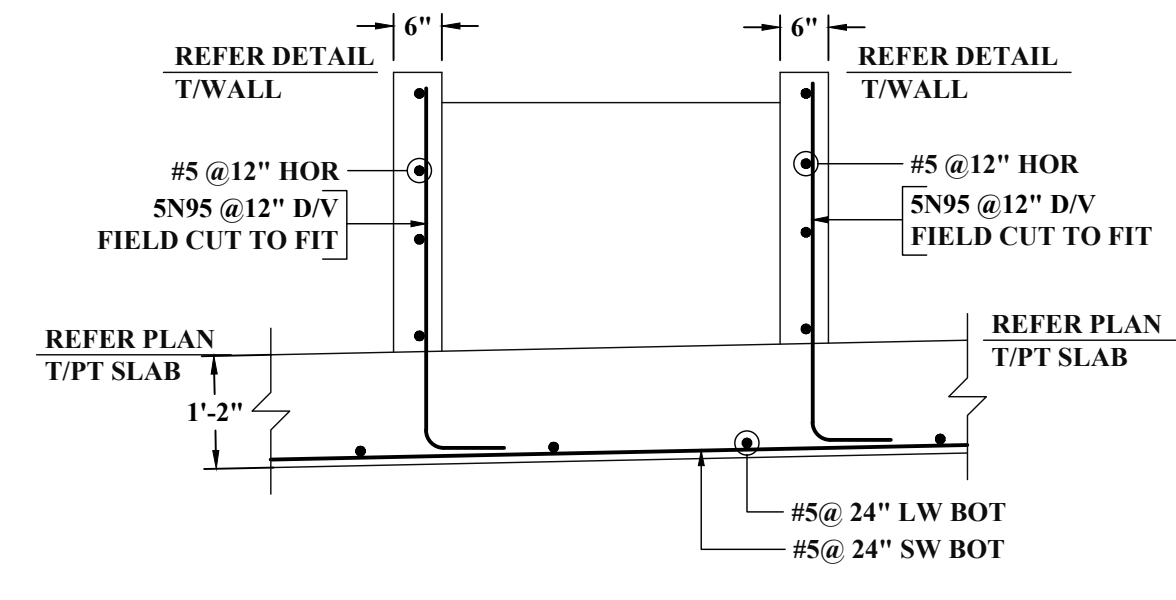
SECTION 16
SCALE: 1/2"=1'-0"
REF: 6/S411



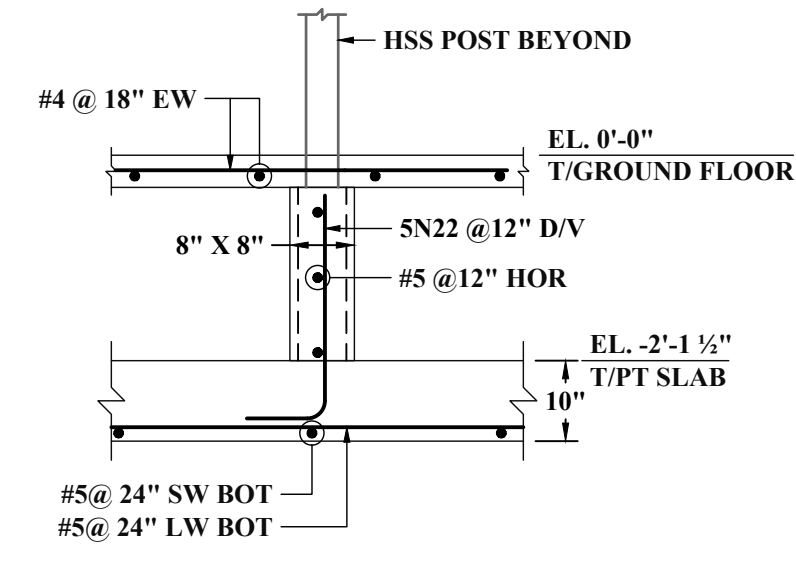
SECTION 17
SCALE: 1/2"=1'-0"
REF: 4/S412



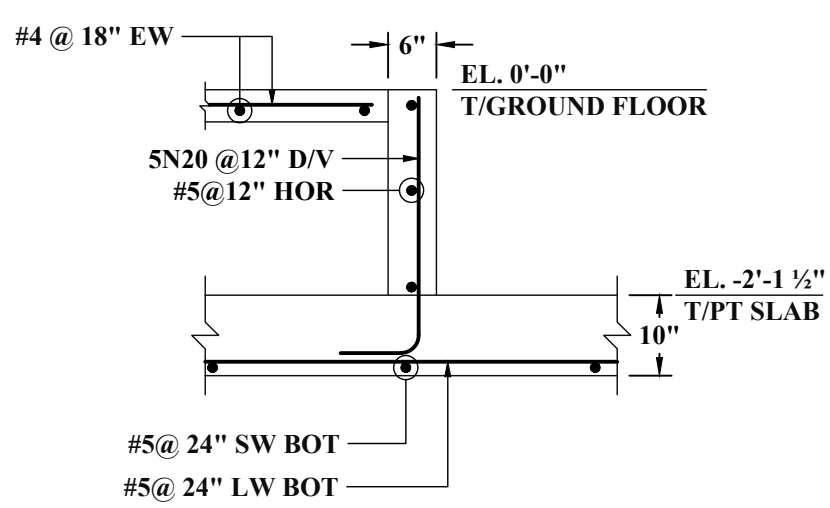
SECTION 18
SCALE: 1/2"=1'-0"
REF: 14/S412



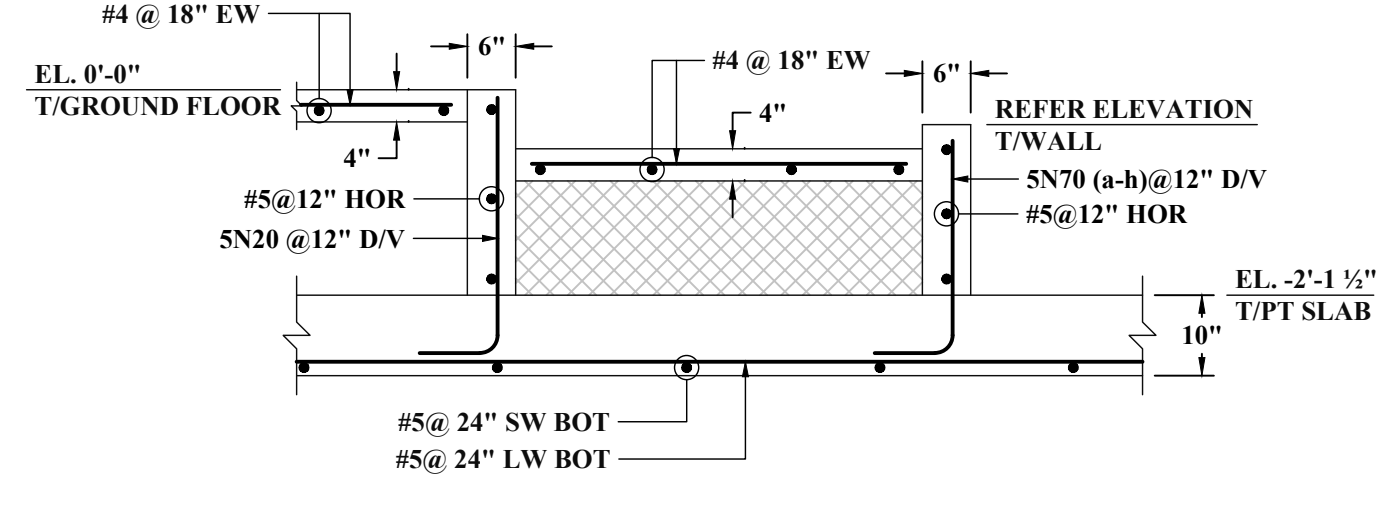
SECTION 19
SCALE: 1/2"=1'-0"
REF: 2/S411



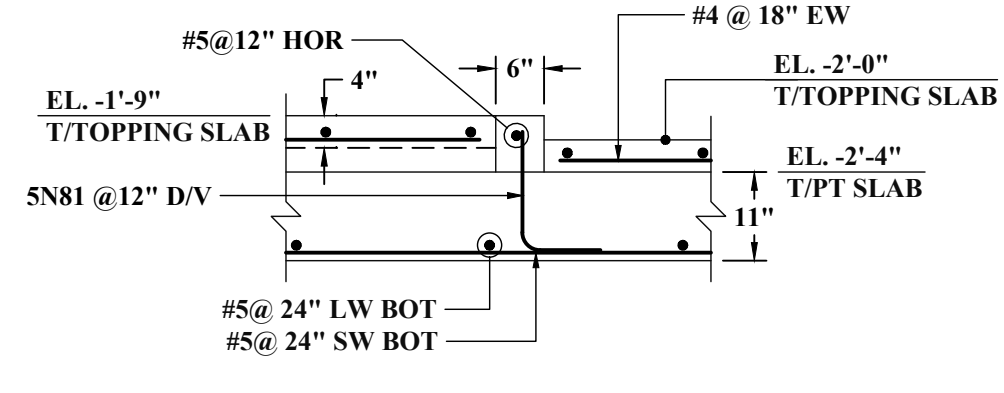
SECTION 20
SCALE: 1/2"=1'-0"
REF: 16/S411



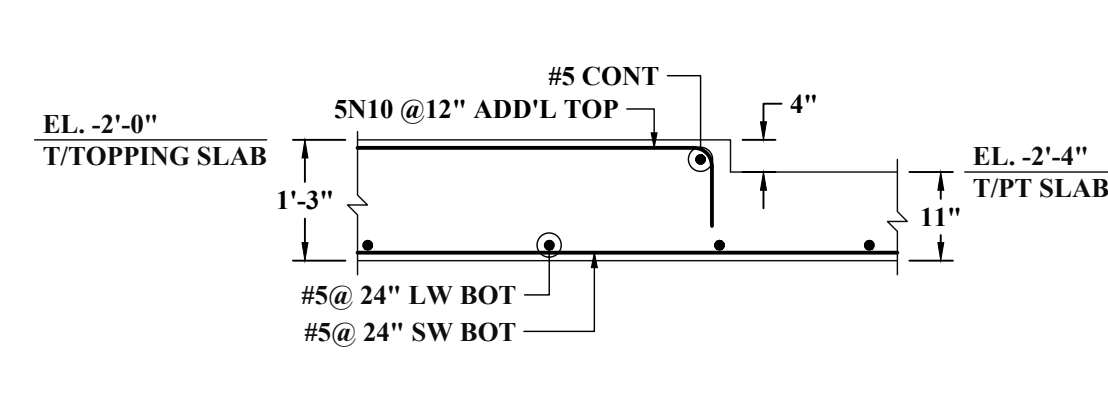
SECTION 21
SCALE: 1/2"=1'-0"
REF: 9/S411



SECTION 22
SCALE: 1/2"=1'-0"
REF: 10/S411



SECTION 23
SCALE: 1/2"=1'-0"
REF: -



SECTION 24
SCALE: 1/2"=1'-0"
REF: 13/S411

ABBREVIATIONS	
TOP	-
BOTTOM	BOT
TOP&BOTTOM	T&B
CONTINUOUS	CONT
FACE BAR	-
CORNER BAR	COR
VERTICAL	VERT
HORIZONTAL	HOR
STIRRUPS	STIRR
EACH WAY	EW
EACH FACE	EF
INNER FACE	IF
OUTER FACE	OF
EACH SIDE	ES
MASONRY	M
DOWEL	DWL
DOWEL/VERTICAL	D/V
TRANSVERSE	TRANS
LONG WAY BAR	LW
SHORT WAY BAR	SW

LAP SCHEDULE (CLASS-B)		
REF: S101A		
SIZE	5000 PSI	
	TOP	OTHER
#3	22"	17"
#4	29"	22"
#5	36"	28"
#6	43"	33"
#7	63"	49"
#8	72"	55"
#9	81"	63"
#10	91"	70"

- NOTES:-**
1. TYPICAL CLEARANCES
A). INTERIOR TOP - 3/4"
B). EXTERIOR TOP - 1"
C). BOTTOM - 3/4"
 2. A/E PLEASE VERIFY THE ALL CLOUDED ITEMS
 3. PROVIDE FIELD CUT AS REQUIRED LOCATIONS
 4. BARS TO BE PLACED AT EQUAL SPACING U.O.N.
 5. TILT HOOK TO ACCOMMODATE THE COVER, IF NEED

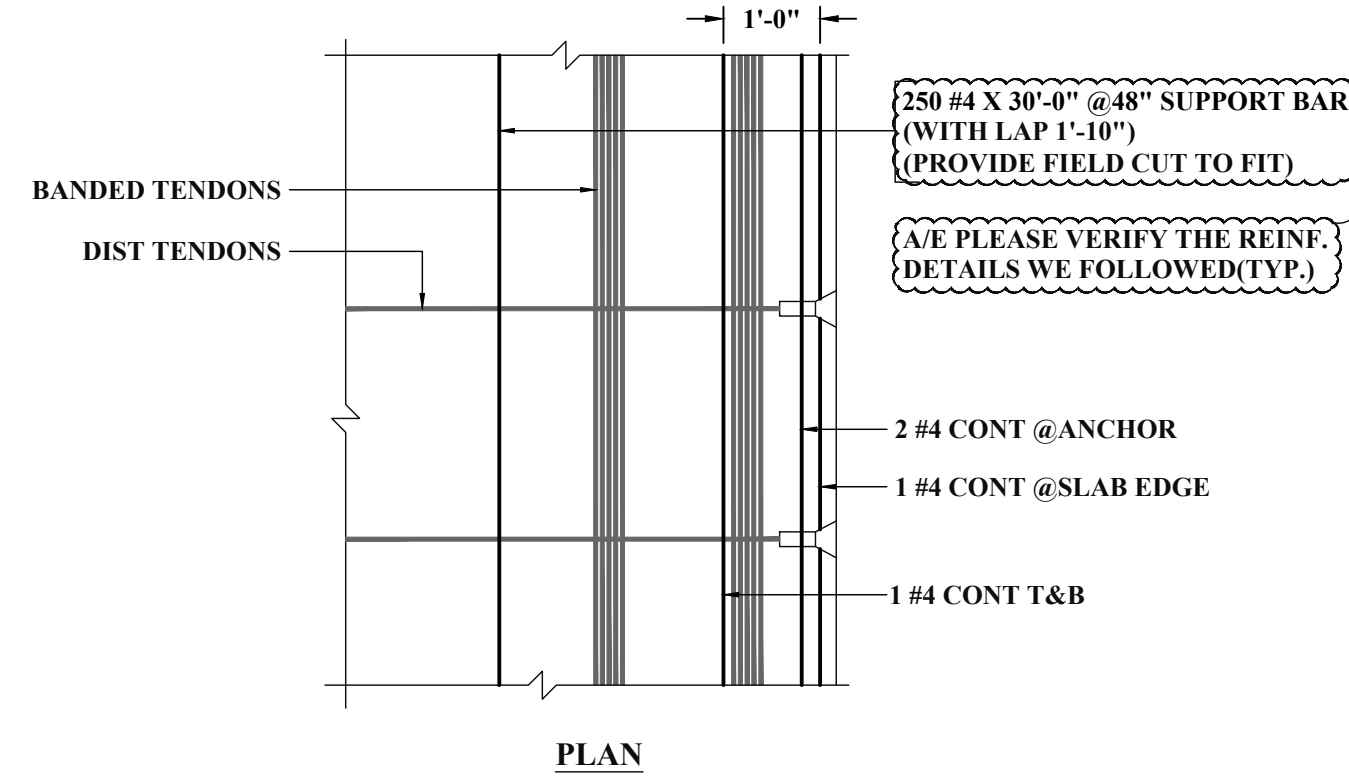
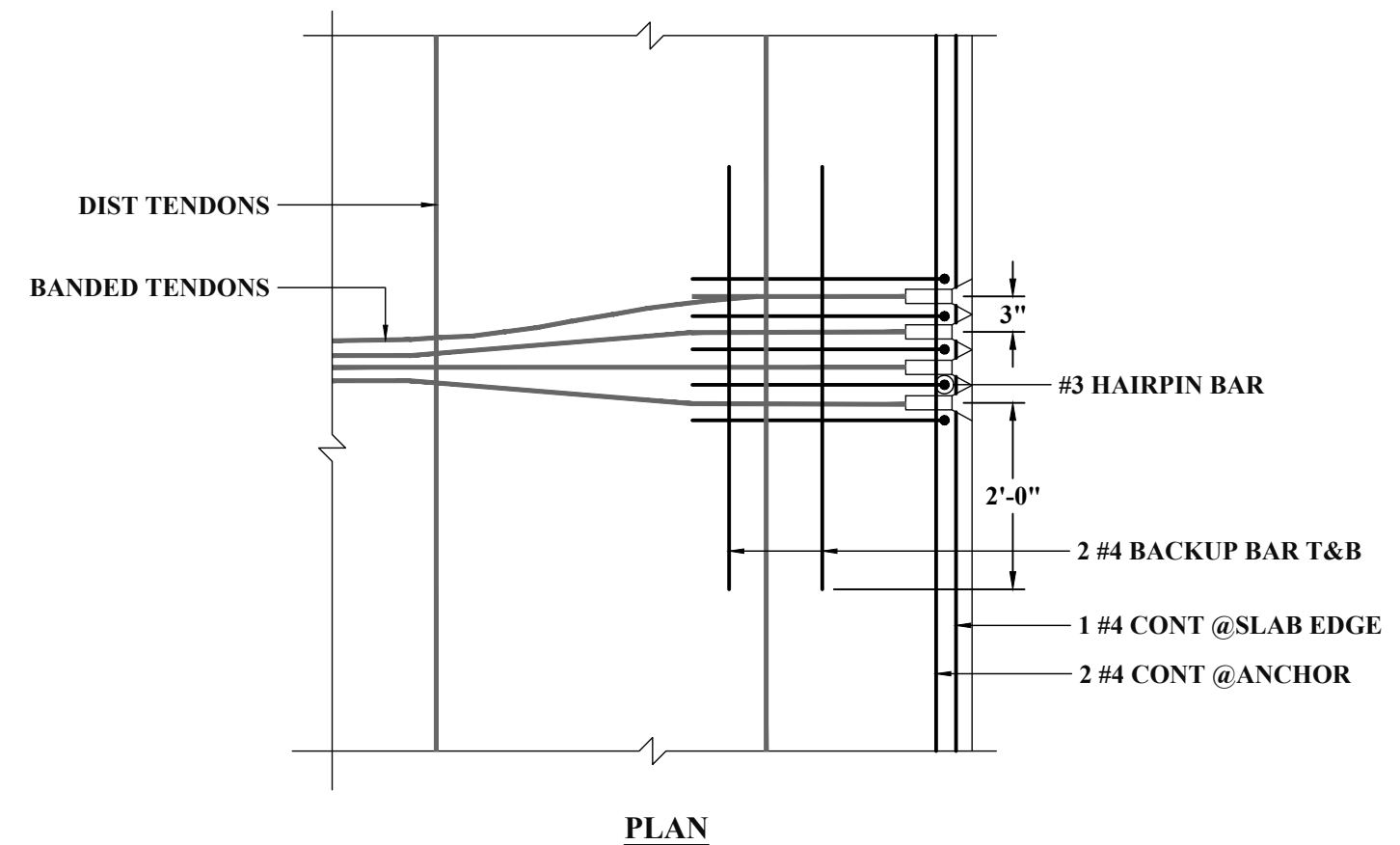
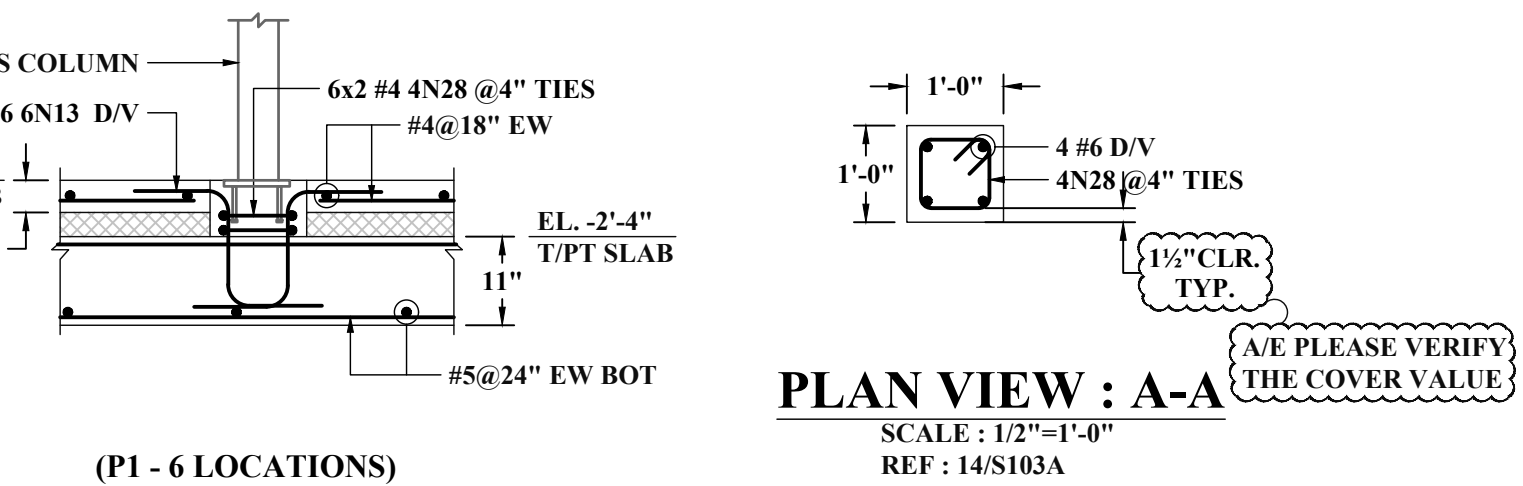
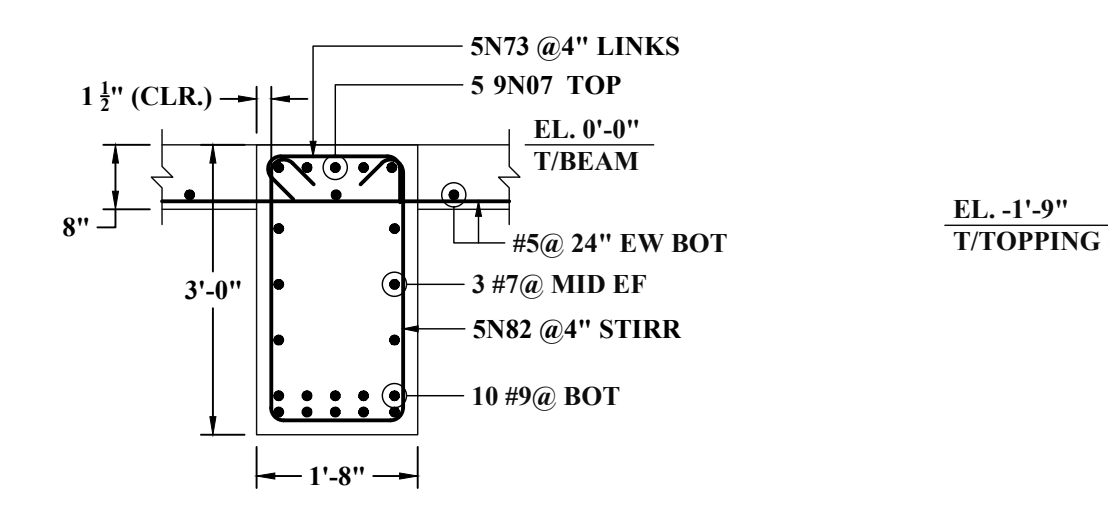
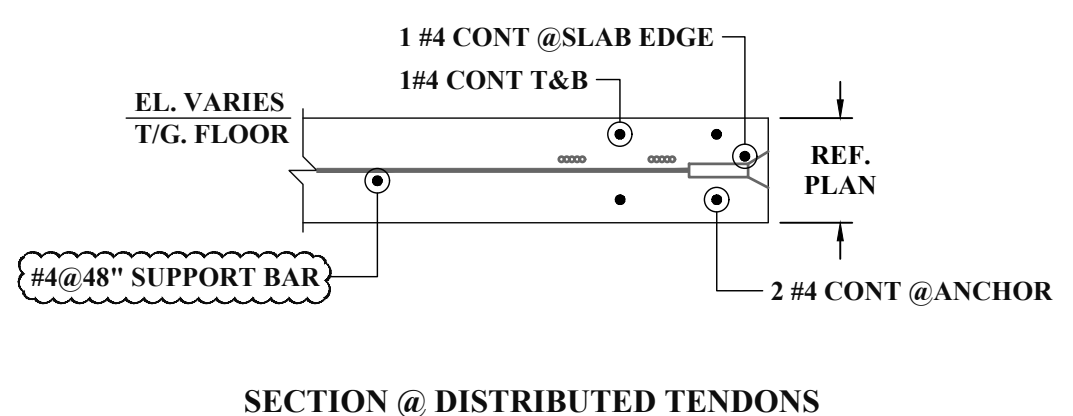
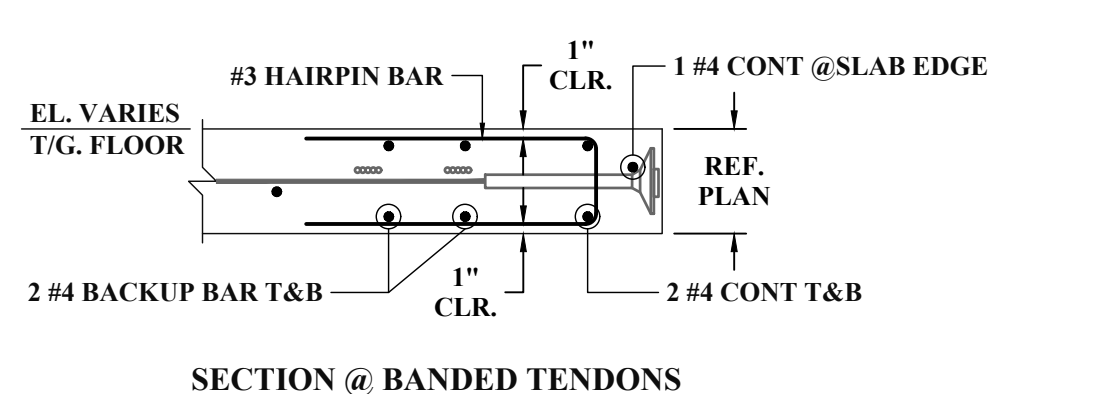
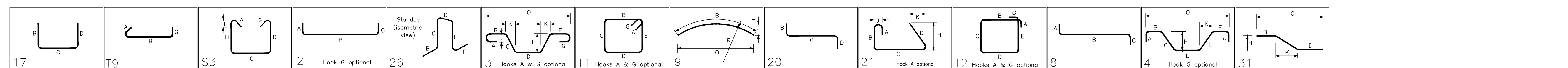
ALL BARS IN THIS DRAWING ASTM A615 GRADE 60 BLACK UNCOATED

NOTE: REINFORCING STEEL PLACING DRAWINGS TO BE USED ONLY IN CONJUNCTION WITH CONTRACT DRAWINGS AND SPECIFICATIONS. ELEVATIONS & DIMENSIONS SHOWN ON THIS DRAWING ARE FOR VERIFICATION BY THE EOR OR FOR DETAILING PURPOSES ONLY AND SHOULD NOT BE USED FOR CONSTRUCTION UNLESS VERIFIED BY THE ARCHITECT, ENGINEER OF RECORD, OR CONTRACTOR.

Release Number: PT-N(G)-1 TO PT-N(G)-12 BENDING DETAILS Table with columns: Bar Mark, Qty, Size, Total Length, Type, and dimensions X, Y, Z, W, V, U.

Release Number: PT-N(G)-1 TO PT-N(G)-12 BENDING DETAILS Table with columns: Bar Mark, Qty, Size, Total Length, Type, and dimensions X, Y, Z, W, V, U.

Release Number: PT-N(G)-1 TO PT-N(G)-12 BENDING DETAILS Table with columns: Bar Mark, Qty, Size, Total Length, Type, and dimensions X, Y, Z, W, V, U.



TYP. ANCHORAGE AT ENDS OF BANDED TENDONS SCALE: 1/2"=1'-0" REF: 18 & 19/S102

TYP. ANCHORAGE AT ENDS OF DISTRIBUTED TENDONS SCALE: 1/2"=1'-0" REF: 18/S102

SECTION 25 SCALE: 1/2"=1'-0" REF: -

SECTION 28 SCALE: 1/2"=1'-0" REF: 14/S103A

LAP SCHEDULE (CLASS-B) Table with columns: SIZE, 5000 PSI TOP, 5000 PSI OTHER.

ABBREVIATIONS Table with columns: BOTTOM, TOP&BOTTOM, CONTINUOUS, VERTICAL, HORIZONTAL, EACH WAY, EACH FACE, DOWEL, DOWEL/VERTICAL, LONG WAY BAR, SHORT WAY BAR.

- NOTES:- 1. TYPICAL CLEARANCES A). INTERIOR TOP - 3/4" B). EXTERIOR TOP - 1" C). BOTTOM - 3/4" 2. A/E PLEASE VERIFY THE ALL CLOUED ITEMS 3. PROVIDE FIELD CUT AS REQUIRED LOCATIONS 4. BARS TO BE PLACED AT EQUAL SPACING U.O.N. 5. TILT HOOK TO ACCOMMODATE THE COVER, IF NEED

ALL BARS IN THIS DRAWING ASTM A615 GRADE 60 BLACK UNCOATED

NOTE: REINFORCING STEEL PLACING DRAWINGS TO BE USED ONLY IN CONJUNCTION WITH CONTRACT DRAWINGS AND SPECIFICATIONS. ELEVATIONS & DIMENSIONS SHOWN ON THIS DRAWING ARE FOR VERIFICATION BY THE EOR OR FOR DETAILING PURPOSES ONLY AND SHOULD NOT BE USED FOR CONSTRUCTION UNLESS VERIFIED BY THE ARCHITECT, ENGINEER OF RECORD, OR CONTRACTOR.